

# KOMATSU®

## PC55MR-3

NET HORSEPOWER

28.5 kW **38.2 HP**

OPERATING WEIGHT

5160 kg **11,378 lb**

**PC**  
**55MR**

COMPACT HYDRAULIC  
EXCAVATOR



Photo may include optional equipment.

# WALK-AROUND

## *Performance and Versatility*

- Standard auxiliary hydraulics
- Standard thumb mounting bracket
- Three track options: Rubber, steel, roadliner
- Automatic two-speed travel
- ISO/SAE pattern change valve
- Optional Power Angle blade

## *Service and Maintenance*

- Wide opening engine hood and side covers
- Side-by-side radiator and oil cooler are easily inspected
- Grease points for work equipment are on the same side of the boom and arm
- Tilt-forward operator's station provides full access to engine and hydraulic components
- Hydraulic hoses are alpha-numerically marked or color coded making them easy to identify

## *Operator Comfort*

- Large operator platform
- Adjustable suspension seat with retractable seat belt
- Pilot proportional joystick controls
- Easy entry and egress
- Low noise



KOMTRAX equipped machines can send location, SMR and operation maps to a secure website utilizing wireless technology.

**NET HORSEPOWER**

28.5 kW **38.2 HP**

**OPERATING WEIGHT**

5160 kg **11,378 lb**

**DIG DEPTH**

3800 mm **12' 6"**



***Value, Durability, and Strength***

- KOMTRAX® wireless equipment monitoring system
- High strength X-track frame
- Castings are used for boom foot, tip, and swing yoke
- Large diameter swing pin
- Reinforced arm
- O-ring face seal hydraulic fittings
- Moisture/dust resistant electrical connectors

***Peace of Mind***

- Two-post ROPS canopy or ROPS cab
- Neutral engine start system
- Excellent visibility enhances job site awareness
- Low emission Komatsu engine with dual element air cleaner
- One key operates the ignition and all machine locks

# OPERATOR ENVIRONMENT



## ***Operator Station***

- Spacious canopy/cab with unobstructed floor provides the operator with ample leg room
- Folding travel pedals
- Upper rail sliding door (cab models)
- Air conditioning provides a comfortable operating space throughout the year (cab models)
- Two-post ROPS canopy provides unequalled visibility
- Fully adjustable suspension seat reduces operator fatigue
- PPC joystick controls are low effort and provide fine control
- Gauges and indicator lights are easy to read

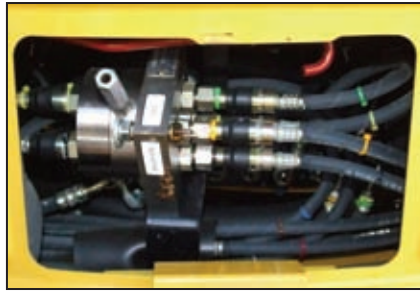


# FEATURES



### Tight Tail Swing

The operator can focus more on the work in front and worry less about rear swing clearance, even in confined areas with only an 80 mm 3.1" projection over the tracks.



### Pattern Change Valve

Whether you are comfortable with ISO or SAE, you can easily change from one to the other.



### Excellent Visibility

The operator's station design allows the operator to maintain a 360° field-of-view.



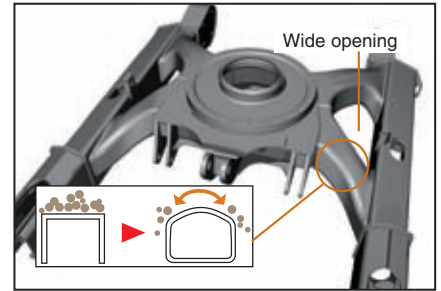
### Tilt-Up Operator Compartment

The operator compartment tilts forward for easy access to hydraulic and engine components.



### Wide Opening Engine Hood and Side Covers

Allow easy access for daily checks and regular maintenance.



### High Strength X-Track Frame

X-track frame is a large hydraulic excavator concept and deters the build-up of dirt and debris, saving the operator valuable time when cleaning the machine.



### Neutral Engine Start System

Locks out drives and hydraulics during machine start up.



### Manual Selector Valve

Allows the operator to switch between one-way (Breaker) and two-way auxiliary hydraulic flow (Thumb).



### Large Diameter Swing Pin

Has high durability and maintains suitable clearances between pin and bushing after long-term operation.

### Extended Maintenance Intervals

Lubricate swing circle	500 hrs
Lubricate work equipment	500 hrs
Replace engine oil and filter	500 hrs
Fuel filter	500 hrs
Hydraulic filter	1000 hrs

### Three Track Options Available



Rubber



Steel

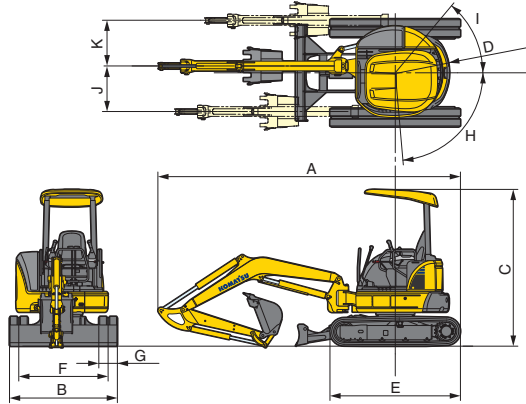


Roadliner





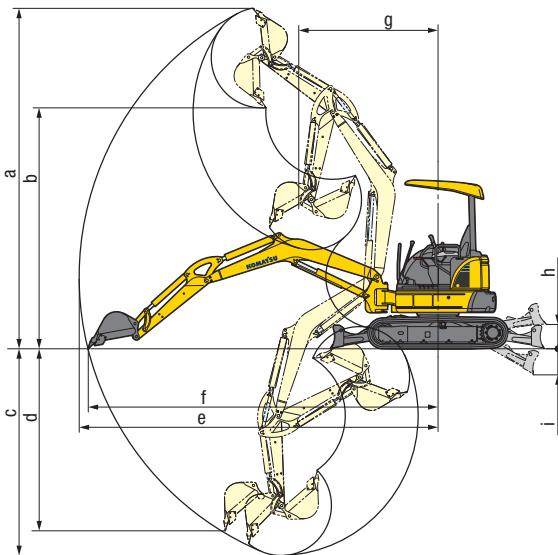
**DIMENSIONS**



A	Overall length	5550 mm <b>18'3"</b>
B	Overall width	1960 mm <b>6'5"</b>
C	Overall height	2550 mm <b>8'4"</b>
D	Tail swing radius	1060 mm <b>3'6"</b>
E	Crawler length	2520 mm <b>8'3"</b>
F	Track gauge	1560 mm <b>5'1"</b>
G	Track shoe width	400 mm <b>1'4"</b>
H/I	Boom swing angle	Left 85°/Right 50°
J/K	Bucket offset	LH 630 mm/RH 880 mm <b>LH 2'1"/RH 2'10"</b>



**WORKING RANGE**



a	Maximum digging height	5945 mm <b>19'6"</b>
b	Maximum dumping height	4230 mm <b>13'11"</b>
c	Maximum digging depth	3800 mm <b>12'6"</b>
d	Maximum vertical digging depth	3020 mm <b>9'11"</b>
e	Maximum digging reach	6220 mm <b>20'5"</b>
f	Maximum reach-ground level	6070 mm <b>19'11"</b>
g	Minimum swing radius (With boom swing)	2270 mm <b>7'5"</b> (1740 mm <b>5'9"</b> )
h	Maximum blade lift	430 mm <b>1'5"</b>
i	Maximum blade depth	330 mm <b>1'1"</b>



**LIFTING CAPACITY**

Blade on ground		Unit: kgf lbf							
		2 m 6.5'		3.0 m 10'		4 m 13'		Maximum Reach	
		Front	Side	Front	Side	Front	Side	Front	Side
Arm Length 1640 mm 5'4"	3 m 10'	—	—	—	—	845* <b>1863*</b>	750 <b>1653</b>	850* <b>1874*</b>	500 <b>1102</b>
	2 m 6.5'	—	—	1435* <b>3164*</b>	1140 <b>2513</b>	1050* <b>2315*</b>	720 <b>1587</b>	885* <b>1951*</b>	440 <b>970</b>
	1 m 3.25'	—	—	2030* <b>4475*</b>	1045 <b>2304</b>	1285* <b>2833*</b>	680 <b>1499</b>	930* <b>2050*</b>	420 <b>926</b>
	0 m 0'	—	—	2260* <b>4982*</b>	1005 <b>2216</b>	1435* <b>3164*</b>	655 <b>1444</b>	985* <b>2172*</b>	435 <b>959</b>
	-1 m -3.25'	2790* <b>6151*</b>	1960 <b>4321</b>	2170* <b>4784*</b>	1000 <b>2205</b>	1415* <b>3119*</b>	645 <b>1422</b>	1050* <b>2315*</b>	500 <b>1102</b>

\*Load is limited by hydraulic capacity rather than tipping. Rated loads do not exceed 87% of hydraulic capacity or 75% of tipping load.



## STANDARD EQUIPMENT

---

- Air cleaner, dual element
- Automatic two-speed travel control
- Auxiliary hydraulics with selector valve
- Backfill blade
- KOMTRAX®
- Pattern change valve
- Rearview mirrors
- Rubber track
- Suspension seat with 50 mm 2" wide retractable seat belt
- Travel alarm
- Travel pedals
- Two-post ROPS canopy



## OPTIONAL EQUIPMENT

---

- 76 mm 3" retractable seat belt
- Additional work light (cab or canopy)
- Cab with air conditioner, radio ready, and 12 V outlet
- Power angle blade
- Road liner track
- Steel track
- Wide variety of attachments

**KOMATSU**®