

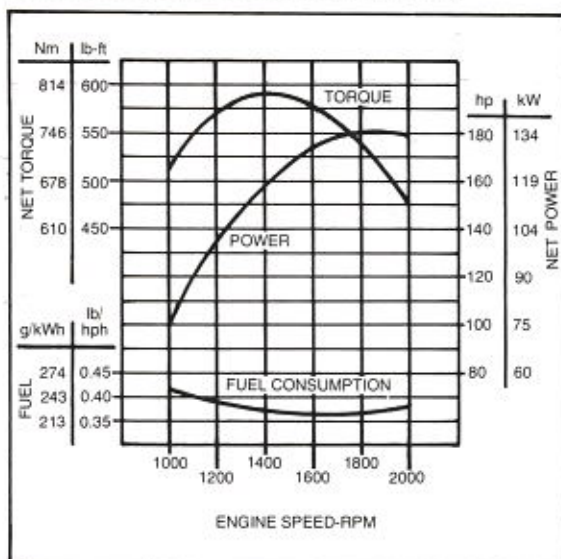


792 EXCAVATOR



Model shown may include options.

ENGINE PERFORMANCE (SAE NET)



FEATURES

180-**SAE-net-hp** (134 kW) turbocharged John Deere diesel engine

23-ft. 11-in. (7.30 m) digging depth

35-ft. 8-in. (10.88 m) reach at ground level

High-efficiency variable-flow hydraulic system with fuel-saving features

Large cab for improved operator comfort and visibility

Centralized monitoring system

Two-lever, low-effort control of boom, arm, bucket, and 360-degree continuous swing

Straight propelling, even while swinging or working front-attachment functions

Excavator track-type undercarriage with sealed track chain

Optional long undercarriage

Hydraulic track adjustment

Heavy-duty planetary gear reduction with automatically engaged multiple wet-disk brakes

Vandal protection—lockable service doors

792 EXCAVATOR* SPECIFICATIONS

(Specifications and design subject to change without notice. Wherever applicable, specifications are in accordance with PCSA and SAE Standards. Except where otherwise noted, these specifications are based on a unit with 56-in. (1420 mm) bucket, full fuel tank, 175-lb. (79 kg) operator and standard equipment.)

	SAE	DIN 6270
Rated Power @ 2000 rpm:		
Net	180 hp (134 kW)	134 kW
Gross	190 hp (142 kW)	

Net engine power is with standard equipment including air cleaner, exhaust system, alternator, and cooling fan, at standard conditions per SAE J1349 and DIN 6270, using No. 2-D fuel @ 35 API gravity. No derating is required up to 10,000 ft. (3050 m) altitude. Gross power is without cooling fan.

Engine: John Deere 6-466A

Type	Four cycle, turbocharged, intercooled diesel
Bore and stroke	4.56×4.75 in. (116×121 mm)
No. of cylinders	6
Displacement	466 cu. in. (7.638 L)
Maximum net torque @ 1400 rpm ..	590 lb-ft (800 Nm) (81.6 kg-m)
Cooling fan	Suction
Compression ratio	14.9 to 1
Lubrication	Pressure system w/full-flow filter
Electrical system	24-volt
Batteries (2) 12-volt	Reserve capacity: 160 minutes

Hydraulic System: Open Center

Two variable-displacement axial-piston pumps and two control valves (5- and 4-spool) provide independent and combined operation of all functions. The 5-spool control valve has one spool for an auxiliary attachment function.

Main pumps	2 variable-displacement axial-piston
Pressure setting	3770 psi (25 994 kPa) (265 kg/cm ²)
Max. oil flow	2×68.7 gpm (2×260 L/min)
Pilot pump	
Pressure setting	500 psi (3450 kPa) (35 kg/cm ²)
Max. oil flow	11.9 gpm (45 L/min)
System operating pressure ..	3770 psi (25 994 kPa) (265 kg/cm ²)
Relief valves:	
Boom	4410 psi (30 406 kPa) (310 kg/cm ²)
Arm	3980 psi (27 440 kPa) (280 kg/cm ²)
Bucket	4270 psi (29 440 kPa) (300 kg/cm ²)
Travel	3770 psi (25 994 kPa) (265 kg/cm ²)
Swing	3556 psi (24 517 kPa) (250 kg/cm ²)
Oil filtration:	
One suction filter	
One 10-micron full-flow return filter w/bypass	

Cylinders:	Bore	Rod Diameter	Stroke
Boom (2)	5.9 in. (150 mm)	3.9 in. (100 mm)	60.0 in. (1525 mm)
Arm (1)	6.3 in. (160 mm)	4.3 in. (110 mm)	71.9 in. (1825 mm)
Bucket (1)	5.9 in. (150 mm)	3.7 in. (95 mm)	48.8 in. (1240 mm)

Boom and bucket cylinders have built-in hydraulic cushions on the extension side only. The arm cylinder has a built-in hydraulic cushion at each end of the stroke. All cylinder rods are ground, heat-treated, chrome plated and polished.

Swing Mechanism:

Swing speed	0-10.0 rpm
Swing lock	Manual for transporting
Turntable bearing	Single-row, shear-type ball bearing with induction-hardened, lubricated internal gear and pinion. 500-hour lube interval.

Undercarriage: (Standard and Optional Long)

Propel motors (one for each track)

Axial-piston hydraulic motors with planetary drives. Multiple-disk brakes automatically release while propelling and apply when stationary. Independent drive to each track permits counterrotation. Excavator track-type undercarriage with heavy-duty frame and all-welded stress-relieved structure. Side frames welded to track frame. Permanently lubricated track rollers and idlers with metal face seals.

Tracks:

Track chain	Sealed
Track adjustment ..	Hydraulic with shock absorbing recoil springs

Track Rollers and Shoes (each side):

Standard undercarriage	Two upper rollers, eight lower rollers, 46 track shoes
Optional long undercarriage ..	Two upper rollers, nine lower rollers, 49 track shoes

Track shoes induction-hardened rolled alloy. Heat-treated connecting pins. A single lower track guide is provided.

Track Shoes:

Standard undercarriage:	Shoes	Average Ground Contact	Average Ground Pressure
Width			
24 in. (600 mm) (standard)	Triple grousers	7207 sq. in. (46 500 cm ²)	8.68 psi (59.8 kPa) (0.61 kg/cm ²)
31 in. (800 mm) (optional)	Triple grousers	9610 sq. in. (62 000 cm ²)	6.69 psi (46.1 kPa) (0.47 kg/cm ²)
Optional long undercarriage:			
24 in. (600 mm) (standard)	Triple grousers	7784 sq. in. (50 220 cm ²)	8.25 psi (56.9 kPa) (0.58 kg/cm ²)
31 in. (800 mm) (optional)	Triple grousers	10,379 sq. in. (66 960 cm ²)	6.40 psi (44.1 kPa) (0.45 kg/cm ²)

Cab:

Steel, independent, shock mounted and soundproofed. Safety glass windows. Front window can be stored. Rear window slides open for ventilation. Front window wiper. Left control lever can be locked back for easier entry and exit for operator. Centralized monitoring with alarm system.

Seat:

Fully adjustable deluxe reclining seat with armrests.

Controls:

All hydraulic functions are controlled by low-effort direct acting linkage. Two short levers control swing, boom, arm and bucket functions. Right and left pedals control forward, reverse and counterrotation movements.

Boom and Arm:

Welded, low-stress, full box-section design. Centralized lubrication system.

Servicing and Vandal Protection:

Non-slip steps and handrails allow easier servicing and maintenance. Easily accessible engine and hydraulic system covers. Machine covers, fuel cap and cab door are lockable.

Additional Standard Equipment:

Cab:

- Heater
- Horn
- Windshield wiper
- Interior light
- Positive position hand throttle
- Monitor package with alarm system:
 - Air pressure gauge
 - Alternator charge indicator light
 - Quartz hourmeter
 - Fuel gauge
 - Engine coolant temperature gauge
 - Engine oil pressure warning light w/alarm buzzer
 - Work lights on indicator
 - Air cleaner restriction warning light
 - Engine coolant temperature warning light w/alarm buzzer
 - Engine oil level light
 - Engine coolant level light
 - Hydraulic oil level light
 - Low fuel level indicator light

Engine:

- Electric cold weather (ether) starting aid
- Dual heavy-duty fuel filter
- Oil cooler
- Full-flow oil filter
- Dual dry-type air filters
- Low maintenance batteries
- Isolation-mounted

Frame:

- 12,346-lb. (5600 kg) counterweight
- Vandal protection—lockable service doors and fuel filler cap
- Fully enclosed swing gears

Front Attachment:

- Centralized lubrication system
- Bucket clearance adjusting mechanism
- Dirt seals on all bucket pins
- 124-in. (3.15 m) standard arm

Undercarriage:

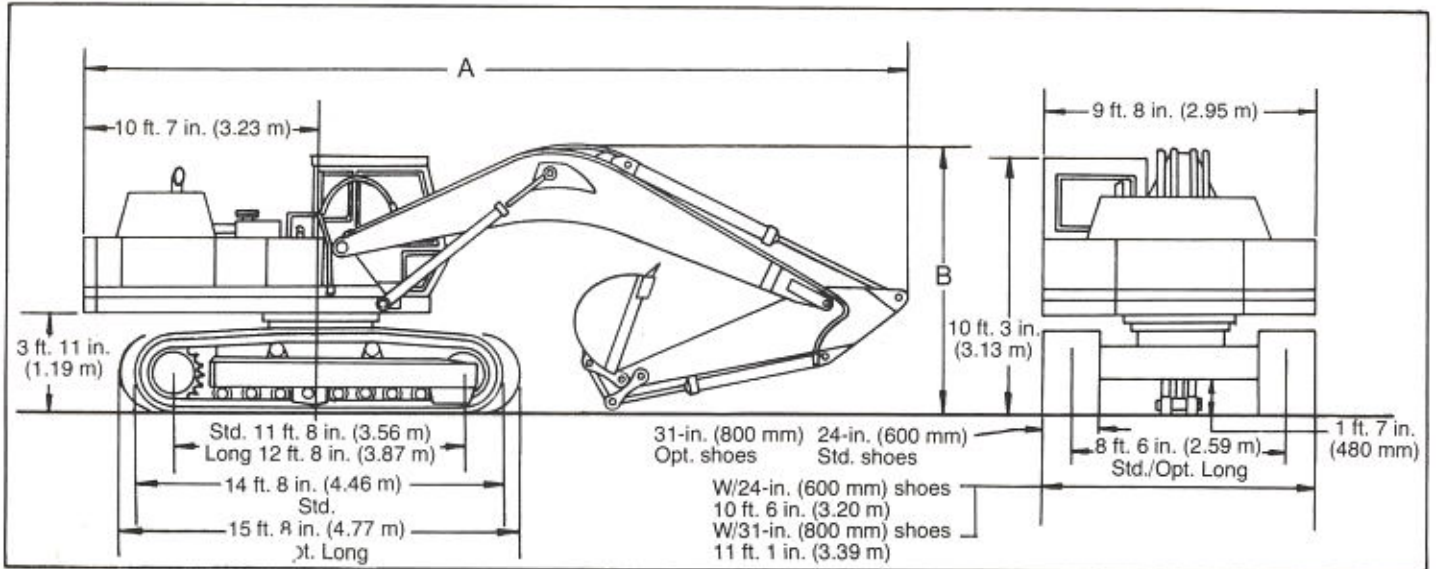
- Propel motor and hydraulic line shields
- Single flange lower track rollers with guide
- 24-in. (600 mm) triple grouser shoes
- Standard track length 14 ft. 8 in. (4.46 m)

Lights:

- One work light mounted on frame
- One work light mounted on boom

*Not available in all parts of the world.

792 EXCAVATOR SPECIFICATIONS



- A. W/short arm 36 ft. 1 in. (11.01 m)
- W/standard arm 35 ft. 9 in. (10.89 m)
- W/long arm 36 ft. 0 in. (10.96 m)
- B. W/short arm 11 ft. 3 in. (3.43 m)
- W/standard arm 10 ft. 6 in. (3.20 m)
- W/long arm 11 ft. 5 in. (3.49 m)

Operating Information:

- Gradability 70% (35°)
- Swing speed 10.0 rpm
- Tail swing clearance 129.5 in. (3.29 m)
- Infinitely variable travel speed, forward and reverse 0-2.0 mph (0-3.2 km/h)

Capacities:

	U.S.	Liters
Fuel tank	118.9 gal.	450
Cooling system	47.6 qt.	45
Engine lubrication w/filter	24.3 qt.	23
Hydraulic system	105.7 gal.	400
Hydraulic reservoir	42.5 gal.	161
Planetary propel drive (ea. side)	15.9 qt.	15
Swing drive	12.7 qt.	12
Hydraulic pump drive	0.7 qt.	0.7

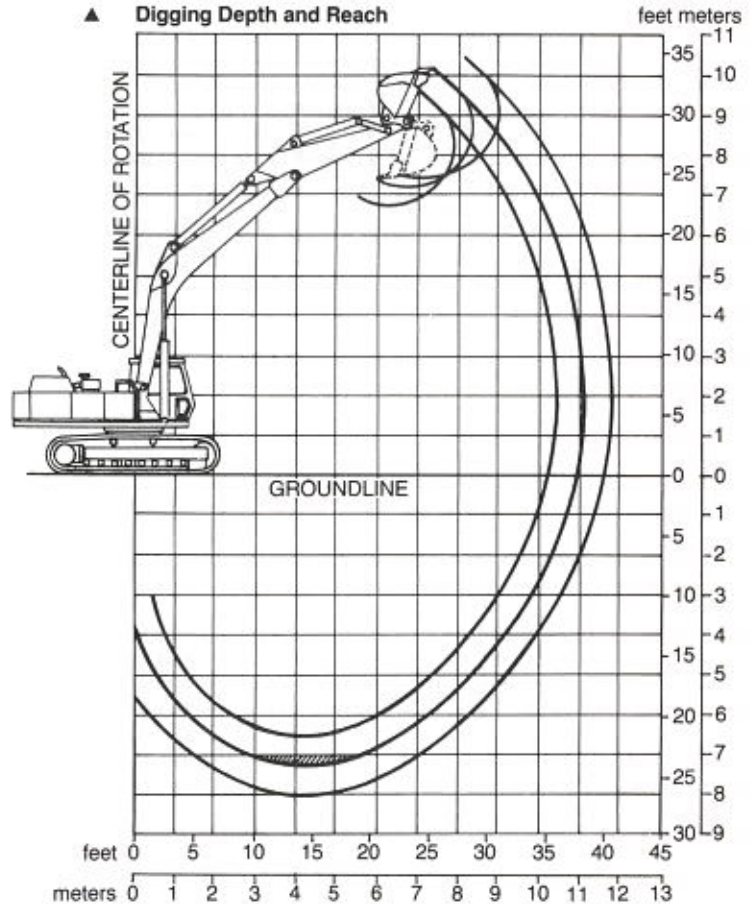
	Opt. Short	ARM Standard	Opt. Long
Arm length	100 in. (2.55 m)	124 in. (3.15 m)	154 in. (3.90 m)
Arm force	31,300 lb. (139 kN) (14 200 kg)	25,400 lb. (113 kN) (11 500 kg)	22,000 lb. (98.1 kN) (10 000 kg)
Lifting capacity over front or rear @ ground level			
20-ft. (6.1 m) reach	17,564 lb. (7967 kg)	17,587 lb. (7977 kg)	17,917 lb. (8127 kg)
	*18,130 lb. (8223 kg)	*20,515 lb. (9306 kg)	*19,943 lb. (9046 kg)
Digging depth	21 ft. 11 in. (6.69 m)	23 ft. 11 in. (7.30 m)	26 ft. 5 in. (8.04 m)
Digging depth @ 8 ft. (2.44 m) flat bottom	21 ft. 8 in. (6.49 m)	23 ft. 5 in. (7.13 m)	25 ft. 11 in. (7.91 m)
Reach @ ground level	33 ft. 8 in. (10.27 m)	35 ft. 8 in. (10.88 m)	38 ft. 11 in. (11.62 m)
Dumping height	22 ft. 0 in. (6.71 m)	23 ft. 2 in. (7.06 m)	24 ft. 4 in. (7.42 m)

*W/Optional long undercarriage

Bucket Digging Force: (Tangential Penetrating Force) SAE Heaped

Regular duty	
1½ cu. yd. (1.1 m³)	37,500 lb. (167 kN) (17 010 kg)
1¾ cu. yd. (1.3 m³)	37,500 lb. (167 kN) (17 010 kg)

▲ Digging Depth and Reach



▲ Indicates change since last printing.

792 EXCAVATOR LIFT CAPACITIES W/STANDARD UNDERCARRIAGE

100-in. (2.55 m) OPTIONAL SHORT ARM

Ratings at bucket lift hook, machine equipped with 24-in. (600 mm) shoes, 1 1/2 cu. yd. (1.3 m³) PCSA heaped bucket and standard counterweight, situated on firm, level, uniform supporting surface. Boldface type indicates hydraulic-limited capacities, lightface type indicates stability-limited capacities, in lb. (kg). Figures do not exceed 87 percent of hydraulic capacities or 75 percent of weight needed to tip machine. Lift capacity is increased by approximately 3 percent if machine is equipped with optional 31-in. (800 mm) triple grouser shoes.

LIFTING over front or rear

Horizontal distance from centerline of rotation:	10 ft. (3.05 m)	15 ft. (4.57 m)	20 ft. (6.10 m)	25 ft. (7.62 m)	30 ft. (9.14 m)	35 ft. (10.67 m)
20 ft. (6.10 m)				10,454 (4742)		
15 ft. (4.57 m)			12,998 (5896)	11,539 (5234)		
10 ft. (3.05 m)			16,587 (7524)	13,291 (6029)	9,704 (4402)	
5 ft. (1.52 m)			18,077 (8200)	12,737 (5777)	9,441 (4282)	
Ground level			17,564 (7967)	12,372 (5612)	9,264 (4202)	
-5 ft. (-1.52 m)		26,288 (11 924)	17,463 (7921)	12,250 (5557)		
-10 ft. (-3.05 m)	31,469 (14 274)	22,765 (10 326)	17,668 (8014)	12,414 (5631)		
-15 ft. (-4.57 m)		24,683 (11 196)	18,246 (8276)			
-20 ft. (-6.10 m)						

LIFTING over side or 360°

Horizontal distance from centerline of rotation:	10 ft. (3.05 m)	15 ft. (4.57 m)	20 ft. (6.10 m)	25 ft. (7.62 m)	30 ft. (9.14 m)	35 ft. (10.67 m)
20 ft. (6.10 m)				10,454 (4742)		
15 ft. (4.57 m)			12,998 (5896)	10,415 (4724)		
10 ft. (3.05 m)			14,082 (6390)	9,857 (4471)	7,124 (3231)	
5 ft. (1.52 m)			13,135 (5960)	9,338 (4236)	6,874 (3118)	
Ground level			12,664 (5740)	8,995 (4080)	6,706 (3042)	
-5 ft. (-1.52 m)		20,056 (9097)	12,572 (5700)	8,881 (4028)		
-10 ft. (-3.05 m)	31,469 (14 274)	20,489 (9294)	12,760 (5790)	9,034 (4098)		
-15 ft. (-4.57 m)		21,164 (9600)	13,290 (6030)			
-20 ft. (-6.10 m)						

124-in. (3.90 m) STANDARD ARM

LIFTING over front or rear

Horizontal distance from centerline of rotation:	10 ft. (3.05 m)	15 ft. (4.57 m)	20 ft. (6.10 m)	25 ft. (7.62 m)	30 ft. (9.14 m)	35 ft. (10.67 m)
20 ft. (6.10 m)				9,089 (4123)		
15 ft. (4.57 m)				10,336 (4688)	10,063 (4565)	
10 ft. (3.05 m)		21,862 (9916)	14,938 (6776)	12,218 (5542)	9,763 (4428)	
5 ft. (1.52 m)			18,299 (8300)	12,809 (5810)	9,436 (4280)	
Ground level		21,517 (9760)	17,587 (7977)	12,350 (5602)	9,184 (4166)	
-5 ft. (-1.52 m)	12,361 (5607)	21,818 (9896)	17,329 (7860)	12,129 (5502)	9,086 (4121)	
-10 ft. (-3.05 m)	27,363 (12 412)	27,821 (12 619)	17,410 (7897)	12,167 (5519)		
-15 ft. (-4.57 m)	21,334 (9677)	26,743 (12 130)	17,820 (8083)	12,583 (5708)		
-20 ft. (-6.10 m)						

LIFTING over side or 360°

Horizontal distance from centerline of rotation:	10 ft. (3.05 m)	15 ft. (4.57 m)	20 ft. (6.10 m)	25 ft. (7.62 m)	30 ft. (9.14 m)	35 ft. (10.67 m)
20 ft. (6.10 m)				9,089 (4123)		
15 ft. (4.57 m)				10,336 (4688)	7,458 (3383)	
10 ft. (3.05 m)		21,862 (9916)	14,413 (6538)	9,904 (4529)	7,173 (3254)	
5 ft. (1.52 m)			13,326 (6045)	9,395 (4262)	6,862 (3113)	
Ground level		19,774 (8969)	12,674 (5749)	8,965 (4066)	6,624 (3005)	
-5 ft. (-1.52 m)	12,361 (5607)	19,781 (8973)	12,437 (5641)	8,758 (3973)	6,530 (2962)	
-10 ft. (-3.05 m)	27,363 (12 412)	20,069 (9103)	12,511 (5675)	8,794 (3989)		
-15 ft. (-4.57 m)	21,334 (9677)	20,643 (9364)	12,888 (5846)	9,184 (4166)		
-20 ft. (-6.10 m)						

154-in. (3.90 m) OPTIONAL LONG ARM

LIFTING over front or rear

Horizontal distance from centerline of rotation:	10 ft. (3.05 m)	15 ft. (4.57 m)	20 ft. (6.10 m)	25 ft. (7.62 m)	30 ft. (9.14 m)	35 ft. (10.67 m)
20 ft. (6.10 m)					7,717 (3500)	
15 ft. (4.57 m)				8,894 (4034)	8,815 (3998)	
10 ft. (3.05 m)		17,547 (7959)	12,924 (5862)	10,907 (4947)	9,923 (4500)	5,345 (2424)
5 ft. (1.52 m)		25,345 (11 496)	16,844 (7640)	13,090 (5938)	9,585 (4348)	6,521 (2958)
Ground level		25,804 (11 704)	17,917 (8127)	12,533 (5685)	9,263 (4202)	5,655 (2565)
-5 ft. (-1.52 m)	12,684 (5753)	28,407 (12 885)	17,455 (7917)	12,196 (5532)	9,067 (4113)	
-10 ft. (-3.05 m)	23,105 (10 480)	28,528 (12 940)	17,367 (7878)	12,102 (5489)	9,055 (4107)	
-15 ft. (-4.57 m)	23,993 (10 883)	28,873 (13 097)	17,596 (7981)	12,282 (5571)		
-20 ft. (-6.10 m)		24,381 (11 059)	18,030 (8178)			

LIFTING over side or 360°

Horizontal distance from centerline of rotation:	10 ft. (3.05 m)	15 ft. (4.57 m)	20 ft. (6.10 m)	25 ft. (7.62 m)	30 ft. (9.14 m)	35 ft. (10.67 m)
20 ft. (6.10 m)					7,717 (3500)	
15 ft. (4.57 m)				8,894 (4034)	7,692 (3489)	
10 ft. (3.05 m)		17,547 (7959)	12,924 (5862)	10,305 (4674)	7,362 (3339)	5,317 (2412)
5 ft. (1.52 m)		21,336 (9678)	13,825 (6271)	9,657 (4380)	7,002 (3176)	5,153 (2337)
Ground level		20,130 (9131)	12,973 (5884)	9,134 (4143)	6,696 (3037)	5,016 (2275)
-5 ft. (-1.52 m)	12,684 (5753)	19,814 (8987)	12,549 (5692)	8,818 (4000)	6,510 (2953)	
-10 ft. (-3.05 m)	23,105 (10 480)	19,919 (9035)	12,468 (5655)	8,730 (3960)	6,498 (2947)	
-15 ft. (-4.57 m)	23,993 (10 883)	20,334 (9223)	12,678 (5751)	8,898 (4036)		
-20 ft. (-6.10 m)		21,130 (9584)	13,256 (6013)			

792 EXCAVATOR LIFT CAPACITIES W/OPTIONAL LONG UNDERCARRIAGE

100-in. (2.55 m) OPTIONAL SHORT ARM

Ratings at bucket lift hook, machine equipped with 24-in. (600 mm) shoes, 1 1/4 cu. yd. (1.3 m³) PCSA heaped bucket and standard counterweight, situated on firm, level, uniform supporting surface. Boldface type indicates hydraulic-limited capacities, lightface type indicates stability-limited capacities, in lb. (kg). Figures do not exceed 87 percent of hydraulic capacities or 75 percent of weight needed to tip machine. Lift capacity is increased by approximately 3 percent (2 percent for optional short arm) if machine is equipped with optional 31-in. (800 mm) triple grouser shoes.

LIFTING over front or rear

Horizontal distance from centerline of rotation:	10 ft. (3.05 m)	15 ft. (4.57 m)	20 ft. (6.10 m)	25 ft. (7.62 m)	30 ft. (9.14 m)	35 ft. (10.67 m)
20 ft. (6.10 m)				10,454 (4742)		
15 ft. (4.57 m)			12,998 (5896)	11,539 (5234)		
10 ft. (3.05 m)			16,587 (7524)	13,304 (6035)	10,036 (4552)	
5 ft. (1.52 m)			18,644 (8457)	13,156 (5967)	9,773 (4433)	
Ground level			18,130 (8224)	12,790 (5801)	9,596 (4353)	
-5 ft. (-1.52 m)		26,288 (11 924)	18,029 (8178)	12,669 (5747)		
-10 ft. (-3.05 m)	31,469 (14 274)	22,765 (10 326)	18,234 (8271)	12,832 (5820)		
-15 ft. (-4.57 m)		24,683 (11 196)	18,786 (8522)			
-20 ft. (-6.10 m)						

LIFTING over side or 360°

Horizontal distance from centerline of rotation:	10 ft. (3.05 m)	15 ft. (4.57 m)	20 ft. (6.10 m)	25 ft. (7.62 m)	30 ft. (9.14 m)	35 ft. (10.67 m)
20 ft. (6.10 m)				10,454 (4742)		
15 ft. (4.57 m)			12,998 (5896)	10,747 (4875)		
10 ft. (3.05 m)			14,521 (6587)	10,189 (4622)	7,391 (3353)	
5 ft. (1.52 m)			13,575 (6158)	9,669 (4386)	7,141 (3239)	
Ground level			13,104 (5944)	9,326 (4230)	6,973 (3163)	
-5 ft. (-1.52 m)		20,706 (9392)	13,011 (5902)	9,213 (4179)		
-10 ft. (-3.05 m)	31,469 (14 274)	21,139 (9588)	13,199 (5987)	9,366 (4248)		
-15 ft. (-4.57 m)		21,814 (9895)	13,730 (6228)			
-20 ft. (-6.10 m)						

124-in. (3.90 m) STANDARD ARM

LIFTING over front or rear

Horizontal distance from centerline of rotation:	10 ft. (3.05 m)	15 ft. (4.57 m)	20 ft. (6.10 m)	25 ft. (7.62 m)	30 ft. (9.14 m)	35 ft. (10.67 m)
20 ft. (6.10 m)				9,089 (4123)		
15 ft. (4.57 m)				10,336 (4688)	10,072 (4569)	
10 ft. (3.05 m)		21,862 (9916)	14,938 (6776)	12,218 (5542)	10,980 (4980)	
5 ft. (1.52 m)			18,529 (8405)	14,243 (6461)	10,950 (4967)	
Ground level		21,517 (9760)	20,515 (9305)	14,350 (6509)	10,694 (4851)	
-5 ft. (-1.52 m)	12,361 (5607)	21,818 (9896)	20,247 (9184)	14,123 (6406)	10,593 (4805)	
-10 ft. (-3.05 m)	27,363 (12 412)	27,821 (12 619)	20,331 (9222)	14,162 (6424)		
-15 ft. (-4.57 m)	21,334 (9677)	26,743 (12 130)	20,145 (9138)	14,455 (6557)		
-20 ft. (-6.10 m)						

LIFTING Over side or 360°

Horizontal distance from centerline of rotation:	10 ft. (3.05 m)	15 ft. (4.57 m)	20 ft. (6.10 m)	25 ft. (7.62 m)	30 ft. (9.14 m)	35 ft. (10.67 m)
20 ft. (6.10 m)				9,089 (4123)		
15 ft. (4.57 m)				10,336 (4688)	7,673 (3480)	
10 ft. (3.05 m)		21,862 (9916)	14,768 (6699)	10,252 (4650)	7,388 (3351)	
5 ft. (1.52 m)			13,681 (6206)	9,663 (4383)	7,078 (3210)	
Ground level		20,299 (9207)	13,028 (5909)	9,233 (4188)	6,839 (3102)	
-5 ft. (-1.52 m)	12,361 (5607)	20,305 (9210)	12,791 (5802)	9,025 (4094)	6,745 (3060)	
-10 ft. (-3.05 m)	27,363 (12 412)	20,594 (9341)	12,866 (5836)	9,062 (4110)		
-15 ft. (-4.57 m)	21,334 (9677)	21,167 (9601)	13,242 (6006)	9,452 (4287)		
-20 ft. (-6.10 m)						

154-in. (3.90 m) OPTIONAL LONG ARM

LIFTING over front or rear

Horizontal distance from centerline of rotation:	10 ft. (3.05 m)	15 ft. (4.57 m)	20 ft. (6.10 m)	25 ft. (7.62 m)	30 ft. (9.14 m)	35 ft. (10.67 m)
20 ft. (6.10 m)					7,717 (3500)	
15 ft. (4.57 m)				8,894 (4034)	8,815 (3998)	
10 ft. (3.05 m)		17,547 (7959)	12,924 (5862)	10,907 (4947)	9,923 (4501)	5,345 (2424)
5 ft. (1.52 m)		25,345 (11 496)	16,844 (7640)	13,138 (5959)	11,062 (5018)	6,521 (2958)
Ground level		25,804 (11 704)	19,943 (9046)	14,486 (6571)	10,734 (4869)	5,655 (2565)
-5 ft. (-1.52 m)	12,684 (5753)	28,530 (12 941)	20,307 (9211)	14,140 (6414)	10,533 (4778)	
-10 ft. (-3.05 m)	23,105 (10 480)	30,840 (13 989)	20,216 (9170)	14,044 (6370)	10,521 (4772)	
-15 ft. (-4.57 m)	23,993 (10 883)	28,873 (13 097)	20,453 (9277)	14,228 (6454)		
-20 ft. (-6.10 m)		24,381 (11 059)	18,030 (8178)			

LIFTING over side or 360°

Horizontal distance from centerline of rotation:	10 ft. (3.05 m)	15 ft. (4.57 m)	20 ft. (6.10 m)	25 ft. (7.62 m)	30 ft. (9.14 m)	35 ft. (10.67 m)
20 ft. (6.10 m)					7,717 (3500)	
15 ft. (4.57 m)				8,894 (4034)	7,877 (3573)	
10 ft. (3.05 m)		17,547 (7959)	12,924 (5862)	10,536 (4779)	7,547 (3423)	5,345 (2424)
5 ft. (1.52 m)		21,787 (9882)	14,130 (6409)	9,887 (4485)	7,187 (3260)	5,308 (2408)
Ground level		20,581 (9335)	13,278 (6023)	9,364 (4247)	6,881 (3121)	5,171 (2346)
-5 ft. (-1.52 m)	12,684 (5753)	20,265 (9192)	12,854 (5830)	9,048 (4104)	6,695 (3037)	
-10 ft. (-3.05 m)	23,105 (10 480)	20,370 (9240)	12,773 (5794)	8,960 (4064)	6,683 (3031)	
-15 ft. (-4.57 m)	23,993 (10 883)	20,785 (9428)	12,983 (5889)	9,129 (4141)		
-20 ft. (-6.10 m)		21,580 (9789)	13,561 (6151)			