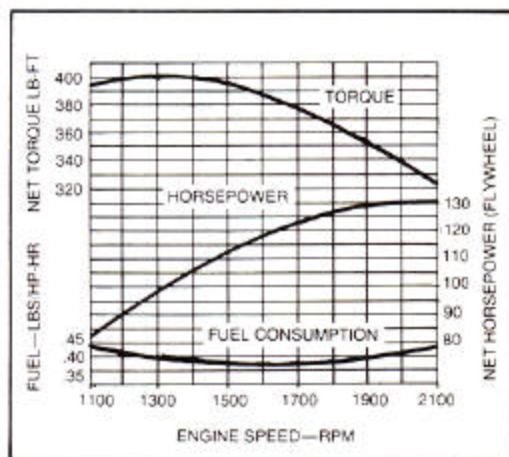




755A LOADER



ENGINE PERFORMANCE



FEATURES

- 130 SAE net hp (97 kW)
- Dual-Path automatic hydrostatic drive with infinite speeds up to 6.7 mph (10.8 km/h)
- Single lever for speed and direction control
- Pedals for independent track control steering
- Counterrotating tracks
- No steering clutches or steering brakes
- Automatically engaged parking brake
- Sealed track rollers and idlers
- Sealed, counterbored track links and bushings
- Sealed loader linkage
- Single-lever loader control w/float position and bucket return-to-dig
- Dual-stage aspirated air cleaner
- Perforated engine side shields
- Designed for quietness
- Roll-over protective structure (ROPS)

ADD VERSATILITY WITH:

- Winch
- Ripper
- Multipurpose bucket

755A LOADER OPERATING INFORMATION

OPERATING INFORMATION	BUCKET	
	General Purpose	Multipurpose
Capacity, heaped, SAE	2.25 cu. yd. (1.72 m ³)	2.0 cu. yd. (1.53 m ³)
Capacity, struck, SAE	1.90 cu. yd. (1.45 m ³)	1.60 cu. yd. (1.22 m ³)
Bucket width	87.15 in. (2.21 m)	88.2 in. (2.24 m)
Bucket weight, without teeth	1790 lb. (812 kg)	2770 lb. (1256 kg)
SAE breakout force	27,500 lb. (122 kN) (12 474 kg)	27,000 lb. (120 kN) (12 247 kg)
SAE tipping load (w/drawbar and four counterweights)	25,300 lb. (11 476 kg)	24,320 lb. (11 030 kg)
Raising time	5.86 sec.	5.86 sec.
Dumping time	1.27 sec.	1.27 sec.
Lowering time	3.23 sec.	3.23 sec.
SAE operating weight w/ROPS canopy	35,000 lb. (15 900 kg)	35,980 lb. (16 320 kg)

Adjustments to operating weights and tipping loads:		
Add (+) or deduct (-) lb. (kg) as indicated for loader equipped with:	Loader Operating Weight	Tipping Load
Cab	+740 lb. (336 kg)	+814 lb. (369 kg)
Bucket teeth	-151 lb. (68 kg)	-198 lb. (90 kg)
Air conditioning	+65 lb. (29 kg)	0
Ripper	+2400 lb. (1089 kg)	+4516 lb. (2048 kg)
Multipurpose bucket	+980 lb. (445 kg)	-980 lb. (445 kg)
Counterweight (each)	+ or -500 lb. (227 kg)	+ or -865 lb. (392 kg)

Special Equipment:

Oil sampling test kit
 Bucket teeth, bolt-on or flush-mount weld-on
 Hydraulics for rear-mounted equipment
 Hydraulics for front-mounted equipment
 Selector valve for ripper and multipurpose bucket
 Protection package:
 Limb risers for ROPS canopy
 Brush screens for operator's compartment
 Rear bumper
 Tank guards
 Fire extinguisher
 Front pull hook
 Cab w/windshield wipers, pressurizer and heater
 Air conditioner
 Windshield washer
 Engine coolant heater
 Backup alarm
 Lexan® windshield w/wiper for ROPS
 Lexan® windows for cab
 Rock guard, center section

755A LOADER SPECIFICATIONS

(Specifications and design subject to change without notice. Wherever applicable, specifications are in accordance with ICED and SAE Standards. Except where otherwise noted, these specifications are based on a unit equipped with 2 cu. yd. (1.53 m³) bucket with teeth, roll-over protective canopy, four counterweights, and standard equipment.)

Power (@ 2100 rpm):	SAE	DIN
Gross	142 hp (91 kW)	
Net	130 hp (97 kW)	132 PS

Net engine flywheel power is for an engine equipped with fan, air cleaner, water pump, lubricating oil pump, fuel pump, alternator and muffler. The gross engine power is without fan. Flywheel power ratings are under SAE standard conditions of 500-ft. altitude and 85° F. temperature, and DIN 6270 conditions (non-corrected). No derating is required up to 10,000 feet (3000 m) altitude.

Engine: John Deere 6-cylinder turbocharged diesel, valve-in-head, 4-stroke cycle.

Bore and stroke	4.19×5 in. (106.4×127 mm)
Piston displacement	414 cu. in. (6.785 L)
Compression ratio	16.2 to 1
Maximum torque @ 1300 rpm	400 lb-ft (542 Nm) (55.3 kg-m)
NACC or AMA (U.S. Tax) horsepower	42
Lubrication	Pressure system w/full flow filters
Main bearings	7
Cooling	Pressurized w/thermostat and controlled bypass
Fan	Blower
Dual-stage aspirated air cleaner w/restriction indicator	Dry
Electrical system	24 volt w/alternator
Batteries (two 12-volt)	Reserve capacity: 180 minutes each

Transmission:

Cold weather starting

Disconnect clutch completely disengages hydrostatic drive and all hydraulics.

Splitter drive

Pressure-lubricated helical gears drive both hydrostatic transmissions, main hydraulic pump, winch drive shaft and auxiliary pump drive.

Drive

Dual-Path, fully automatic, infinitely variable hydrostatic transmissions.

Speeds

Infinite from 0 to 6.7 mph (0 to 10.8 km/h) forward or reverse.

Control

Single-lever, variable speed, forward and reverse.

Steering:

Fully modulated, infinitely variable pedal steering for live power turns and counterrotation. No need for steering clutches or steering brakes.

Brakes:

Service

Hydrostatic

Parking

Wet-disk brakes are automatically applied when engine is stopped, or manually applied with center foot pedal during normal operation.

Hydraulic System: Open-center

Control

Single-lever bucket control with automatic bucket positioner and float position. Three-function valve.

Pump

Vane, 55 gpm (3.47 L/s) @ rated engine speed

Pressure

2500 psi (17 237 kPa) (175.7 kg/cm²)

Oil lines

Seamless steel tubing; double-wire-braid hose

Filter

10 micron filter in return line w/bypass

Hydraulic Cylinders:	Bore	Stroke
Boom (2)	5.50 in. (140 mm)	32 in. (813 mm)
Bucket (2)	4.50 in. (114 mm)	21.52 in. (547 mm)
Cylinder rods	Ground, heat-treated, chrome-plated, polished	
Boom cylinder rods	3.75 in. (95 mm) dia.	
Bucket cylinder rods	2.25 in. (57 mm) dia.	

Tracks (6-roller track frame with front and rear track guides and sprocket guard):

Two bar grouser width	17 in. (432 mm)
Track shoes, each side	36
Ground contact area	3173 sq. in. (20 472 cm ²)
Ground pressure	11.0 psi (75.8 kPa) (0.773 kg/cm ²)
Length of track on ground	93.5 in. (2.37 m)
Track gauge	66 in. (1.68 m)
Carrier roller	1 each side
Adjustment	Hydraulic
Minimum ground clearance	15.3 in. (389 mm)

Capacities:	U.S.	Imp.	Liters
Cooling system	7 gal.	5.8 gal.	26.5
Fuel tank	73 gal.	60.8 gal.	276.3
Crankcase	18 qt.	15.0 qt.	17.0
Crankcase, including filter	20 qt.	16.7 qt.	18.9
Splitter drive	1.5 gal.	1.3 gal.	5.7
Final drive each: 1st reduction	6.25 gal.	5.2 gal.	23.6
2nd reduction	3.5 gal.	2.9 gal.	13.2
Loader hydraulic system	37 gal.	30.8 gal.	140.1
Hydrostatic drives	33 gal.	27.5 gal.	124.9

Additional Standard Equipment:

Enclosed alternator w/solid-state regulator

Bottom guards

Suspension seat w/armrests

Key switch

Pushbutton starting

Electric hourmeter

Cigaret lighter

Vandal protection

Boom safety lock pin

Muffler

Ether starting aid

Front idler shields

Master electrical disconnect switch

Toolbox

Transmission neutral lock w/starter safety switch

Horn

Air cleaner restriction indicator

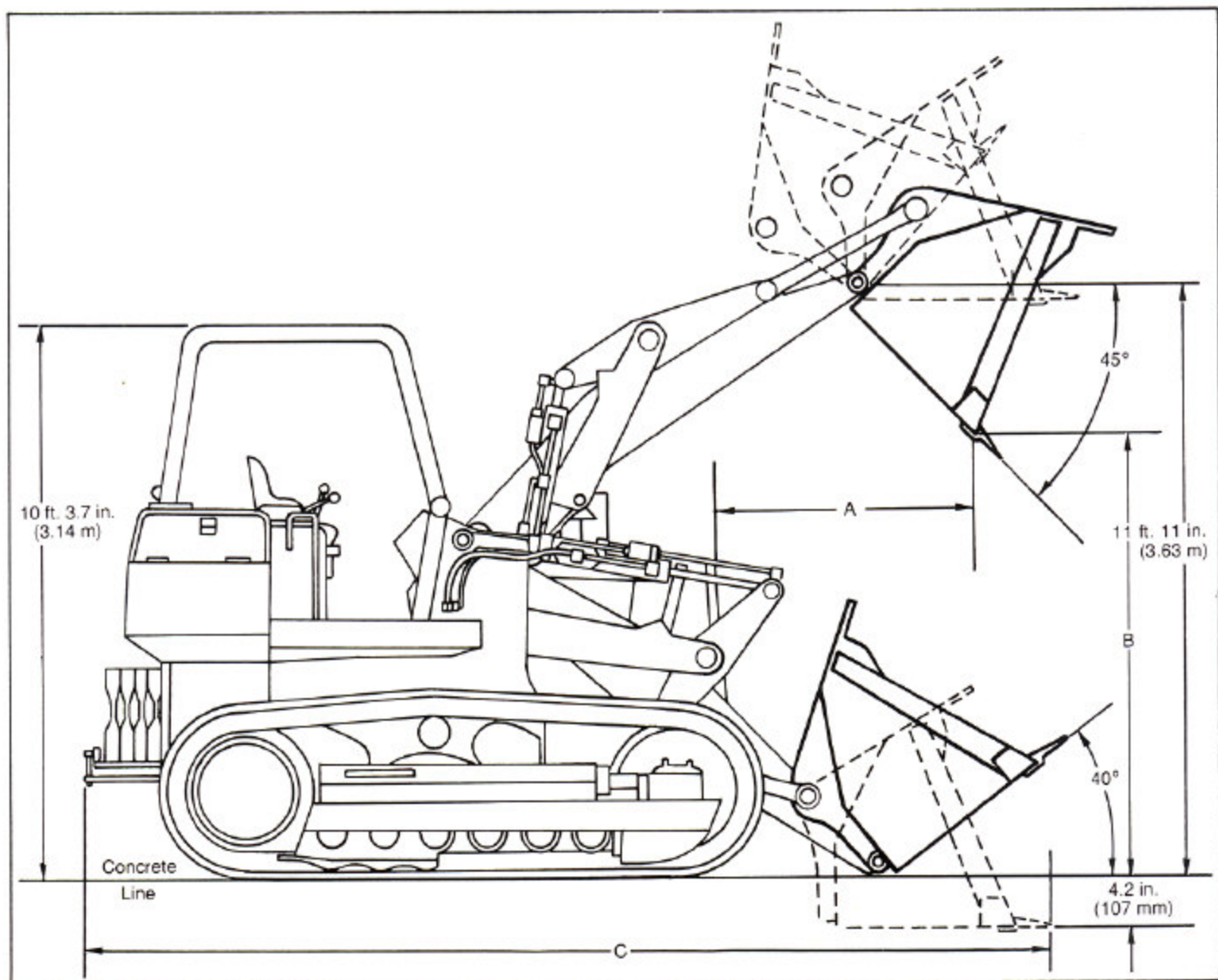
ROPS canopy w/seat belt

Radiator sand shield

SAE Operating Weight w/ROPS

35,000 lb. (15 900 kg)

755A LOADER DIMENSIONS



BUCKET CAPACITIES	DIMENSIONS		
	A	B	C
2.25 cu. yd. (1.72 m ³) bucket	47 in. (1194 mm)	9 ft. 4 in. (2.84 m)	18 ft. 3 in. (5.56 m)
2 cu. yd. (1.53 m ³) multipurpose	47.4 in. (1.20 m)	9 ft. 3.6 in. (2.83 m)	18 ft. 3.5 in. (5.58 m)

