



# 555A LOADER

## FEATURES

78 SAE net hp (58 kW)

Single-lever loader control

Power Shift transmission w/  
torque converter

Dura-Trax™ undercarriage with boron steel deep-heat-treated, strutted, sealed track links; deep-heat-treated sealed rollers; boron-steel through-hardened grousers; sealed front idler and carrier roller

Self-adjusting, oil-cooled steering clutches and brakes

Pedal steering

Roll-over protective structure (ROPS)

## ADD VERSATILITY WITH:

Winch

Fairlead and drawbar

Integral log arch

Ripper

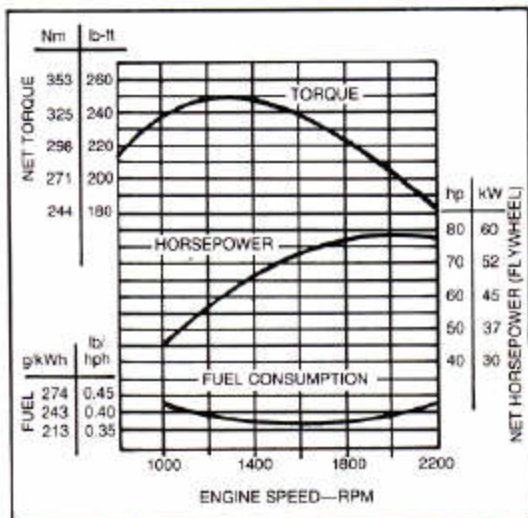
Backhoe

Log and lumber fork

Multipurpose bucket



## ENGINE PERFORMANCE

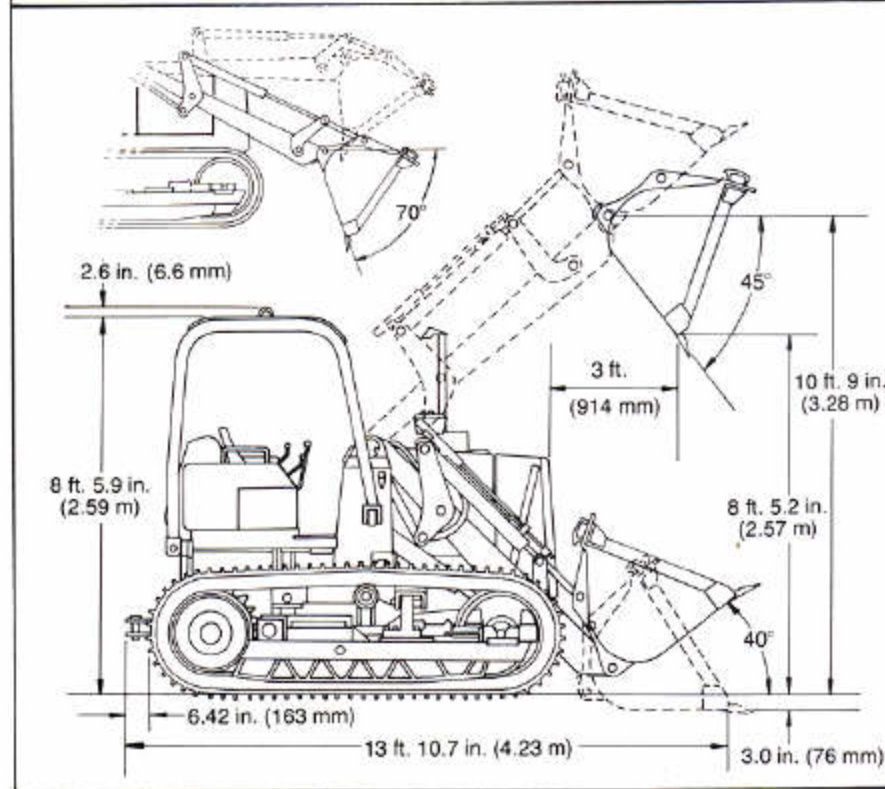


## LOADER SPECIFICATIONS

Buckets:	SAE Heaped Capacity	Width
Digging	1¾ cu. yd. (1.05 m <sup>3</sup> )	72.25 in. (1.84 m)
Multipurpose	1¼ cu. yd. (0.96 m <sup>3</sup> )	73 in. (1.85 m)

### Operating Information:

Breakout force	15,600 lb. (69.4 kN) (7076 kg)
SAE tipping load	11,970 lb. (5430 kg)
Maximum dumping angle	50 deg.
Raising time	7.0 sec.
Dumping time	1.6 sec.
Lowering time	4.0 sec.



## 555A LOADER SPECIFICATIONS

(Specifications and design subject to change without notice. Wherever applicable, specifications are in accordance with ICED and SAE Standards. Except where otherwise noted, these specifications are based on a unit equipped with 1% cu. yd. (1.05 m<sup>3</sup>) digging bucket w/teeth, roll-over protective structure, full fuel tank, 175-lb. (79 kg) operator and standard equipment.)

Power (@ 2200 engine rpm):	SAE	DIN
Gross .....	86 hp (64.1 kW)	
Net .....	78 hp (58 kW)	79 hp (58 kW)

Net engine flywheel power is for an engine equipped with fan, air cleaner, water pump, lubricating oil pump, fuel pump, alternator and muffler. The gross engine power is without fan. Flywheel power ratings are under SAE standard conditions of 500-ft. (150 m) altitude and 85° F (29.5° C) temperature, and DIN 6270 conditions (non-corrected). No derating is required up to 10,000 feet (3050 m) altitude.

**Engine:** John Deere 4-cylinder turbocharged diesel, 4-stroke cycle  
 Bore and stroke ..... 4.19×5.00 in. (106.4×127 mm)  
 Piston displacement ..... 276 cu. in. (4.524 L)  
 Compression ratio ..... 16.2 to 1  
 Maximum torque @ 1300 rpm ..... 250 lb-ft (339 Nm) (34.6 kg-m)  
 Torque rise ..... 34 percent  
 NACCC or AMA (U.S. Tax) horsepower ..... 28  
 Lubrication ..... Pressure system w/full-flow filter and cooler  
 Main bearings ..... 5  
 Cooling ..... Pressurized w/dual thermostat and controlled bypass  
 Fan ..... Blower  
 Air cleaner w/restriction indicator ..... Dry  
 Electrical system ..... 12-volt  
 Battery (12 volt) ..... Reserve capacity: 180 minutes

**Transmission** ..... Converter-driven, 3-speed forward and reverse, Power Shift

Range:	Travel Speeds:			
	mph		km/h	
	Fwd.	Rev.	Fwd.	Rev.
1	2.0	2.4	3.2	3.9
2	3.3	3.9	5.3	6.3
3	5.6	6.8	9.1	10.9

### Steering:

Steering clutches and brakes are controlled by a single pedal for each track. A separate pedal provides braking and lock-down for parking.  
 Clutches ..... Oil-cooled, hydraulically actuated, multiple-disk, 11-in. (279 mm) disks; 16 friction surfaces per clutch.  
 Brakes ..... Self-adjusting, self-energizing, oil-cooled contracting band with bonded lining.

### Hydraulic System:

Control ..... Triple hydraulic valve with single-lever bucket control and third function control.  
 Pump ..... Gear, 28 gpm (1.76 L/s)  
 Pressure ..... 2500 psi (17 238 kPa) (175.8 kg/cm<sup>2</sup>)  
 Oil lines ..... Seamless steel tubing; double-wire-braid hose  
 Filter ..... Spin-on micron

Hydraulic Cylinders:	Bore	Stroke
Boom, (2) .....	4.25 in. (108 mm)	28.25 in. (718 mm)
Bucket, (2) .....	3.5 in. (89 mm)	31.1 in. (790 mm)
Cylinder rods .....	Ground, heat-treated, chrome-plated, polished	
Doom cylinder rods .....	2.25-in. (57 mm) dia.	
Bucket cylinder rods .....	1.75-in. (44.5 mm) dia.	

### Special Equipment:

Brush screens  
 Cigaret lighter  
 Limb risers w/overhead exhaust  
 Rear counterweight for multipurpose bucket  
 13-inch (330 mm) rubber shoes  
 ROPS cab  
 Two batteries  
 Winch drive

**Undercarriage:** 5-roller track frame with full-length rock guards, Dura-Trax™ deep-heat-treated components.

Triple semi-grouser, open center .....	14 in. (356 mm)
Track shoes, each side .....	37
Ground contact area .....	2128 sq. in. (13 729 cm <sup>2</sup> )
Ground pressure .....	8.2 psi (56.5 kPa) (0.576 kg/cm <sup>2</sup> )
Length of track on ground .....	76 in. (1.93 m)
Track gauge .....	52 in. (1.32 m)
Carrier roller .....	1
Adjustment .....	Hydraulic
Clearance at rear crossbar .....	14.25 in. (362 mm)

Capacities:	U.S.	Liters
Cooling system .....	5 gal.	18.9
Fuel tank .....	36 gal.	136.3
Crankcase, including filter .....	15 qt.	14.2
Transmission .....	13.5 gal.	51.1
Final drive (each) .....	6.25 qt.	5.9
Loader hydraulic reservoir .....	7 gal.	26.5
Loader hydraulic system .....	13 gal.	49.2
Steering clutch housing (each side) .....	28 qt.	26.5

### Additional Standard Equipment:

Boom safety lock bar  
 Bottom guard counterweight w/fixed drawbar  
 Bucket level indicator  
 Cold-weather starting aid  
 Cushion seat w/armrests  
 Decelerator  
 Electric hourmeter  
 Enclosed alternator w/solid-state regulator  
 Front bottom guard  
 Front hitch  
 Front idler shields  
 Horn  
 Key switch  
 Lights  
 Master electrical disconnect switch  
 Muffler  
 Perforated engine side shields  
 Precleaner  
 Pushbutton start  
 Radiator sand shield  
 Return to dig  
 Rubber-mounted ROPS w/seat belt  
 Sprocket weights  
 Tachometer  
 Vandal protection

**SAE Operating Weight w/ROPS** ..... 18,800 lb. (8528 kg)