



455E LOADER

FEATURES

70 SAE net hp (52 kW)

Single-lever loader control

Power Shift Hi-Lo-Reverse

Dura-Trax™ undercarriage with boron steel deep-heat-treated, strutted, sealed track links; deep-heat-treated sealed rollers; boron-steel through-hardened grousers; sealed front idler and carrier roller

Self-adjusting, oil-cooled steering clutches and brakes

Roll-over protective structure (ROPS)

Vandal protection

ADD VERSATILITY WITH:

Winch

Fairlead and drawbar

Ripper

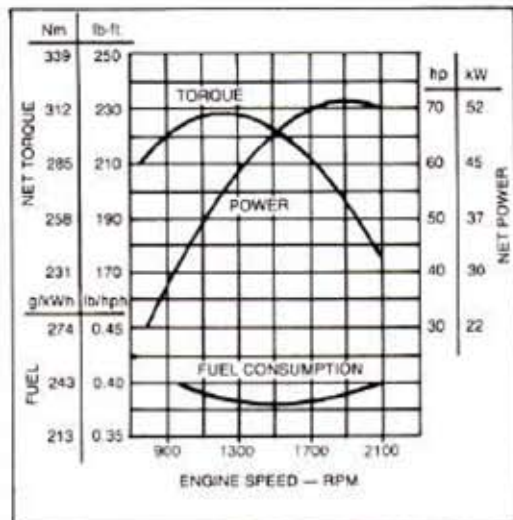
Backhoe

Multipurpose bucket

Log and lumber fork

Integral log arch

ENGINE PERFORMANCE



LOADER SPECIFICATIONS

Buckets:	SAE Heaped Capacity	Width
Digging	1 1/4 cu. yd. (0.96 m ³)	72.25 in. (1.84 m)
Multipurpose	1 1/4 cu. yd. (0.96 m ³)	73 in. (1.85 m)

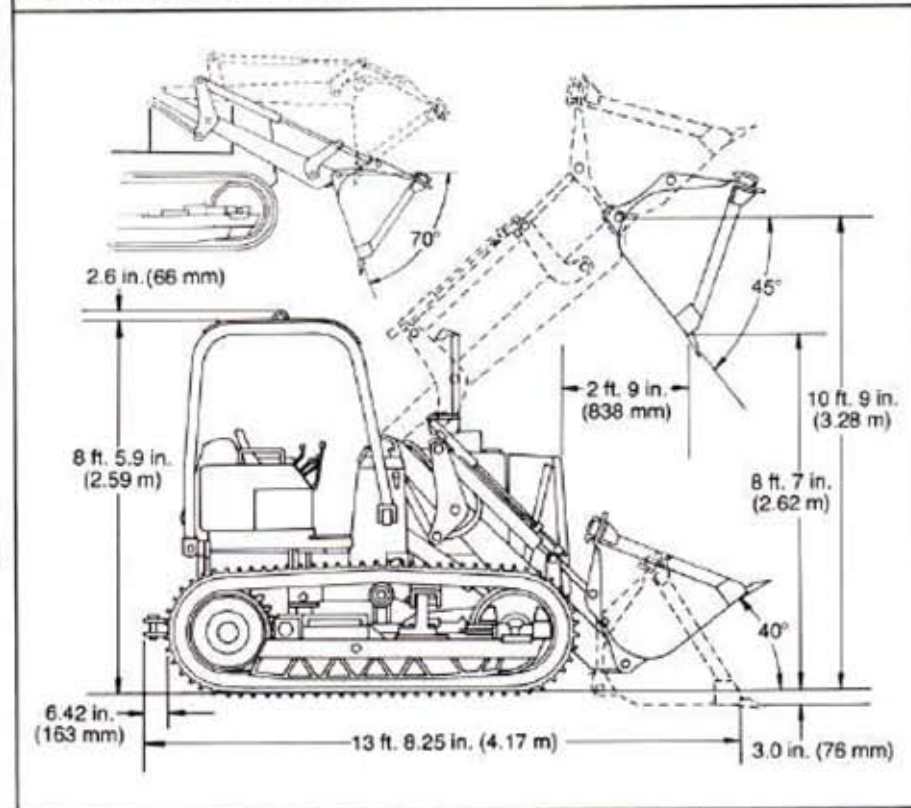
Operating Information:

Breakout force	15,174 lb. (68 kN) (6883 kg)
SAE tipping load	11,000 lb. (4990 kg)
Maximum dumping angle	50 deg.
Raising time	7.0 sec.
Dumping time	1.6 sec.
Lowering time	4.0 sec.

Litho in U.S.A. U-1-85



Model shown may include options



455E LOADER SPECIFICATIONS

(Specifications and design subject to change without notice. Wherever applicable, specifications are in accordance with SAE Standards. Except where otherwise noted, these specifications are based on a unit with 11/4 cu. yd. (0.95 m³) digging bucket w/teeth, roll-over protective structure, full fuel tank, 175-lb. (79 kg) operator and standard equipment.)

Rated Power @2100 rpm:	SAE	DIN 6270
Net	70 hp (52 kW)	53 kW
Gross	73 hp (54.5 kW)	

Net engine power is with standard equipment including air cleaner, exhaust system, alternator, and cooling fan, at standard conditions per SAE J1349 and DIN 6270, using No. 2-D fuel @35 API gravity. No derating is required up to 5,000 feet (1500 m) altitude. Gross power is without cooling fan.

Engine: John Deere 4-276D

Type	4-stroke cycle, naturally aspirated diesel
Bore and stroke	4.19 x 5.00 in. (106.4 x 127 mm)
No. of cylinders	4
Displacement	276 cu. in. (4.524 L)
Maximum net torque @1200 rpm	228 lb-ft (309 Nm) (31.5 kg-m)
Torque rise	30 percent
Cooling fan	Blower
Compression ratio	16.8 to 1
Main bearings	5
Lubrication	Pressure system w/full flow filter
Air cleaner w/restriction indicator	Dry
Electrical system	12 volt w/alternator
Battery (12 volt)	Reserve capacity: 180 minutes

Transmission H-L-R: 4 speed ranges; with high, low and reverse speeds shifted hydraulically without clutching in each range.

Clutch 11-in. (279 mm) single-disk

Gear	Travel Speeds		Gear	Travel Speeds	
	mph	km/h		mph	km/h
Range 1			Range 3		
Low	1.3	2.1	Low	3.0	4.8
High	1.8	2.9	High	4.3	6.9
Reverse	1.7	2.7	Reverse	4.1	6.6
Range 2			Range 4		
Low	2.1	3.3	Low	4.6	7.3
High	2.9	4.7	High	6.5	10.4
Reverse	2.8	4.5	Reverse	6.2	9.9

Steering:

Steering clutches and brakes are controlled by a single lever for each track (pedal steering optional). A pedal provides braking and lock-down for parking.

Clutches Oil-cooled, hydraulically actuated, multiple-disk, 11 in. (279 mm) disks; 16 friction surfaces per clutch.

Brakes Self-adjusting, self-energizing, oil-cooled contracting band with bonded lining.

Hydraulic System:

Control	Single-lever triple hydraulic system
Pump	Gear, 28 gpm (1.76 L/s)
Pressure	2250 psi (15 514 kPa) (158.2 kg/cm ²)
Oil lines	Seamless steel tubing; double-wire-braid hose
Filter	Spin-on micronic

Hydraulic Cylinders:

	Bore	Stroke
Boom, two	4.25 in. (108 mm)	28.25 in. (718 mm)
Bucket, two	3.5 in. (89 mm)	31.1 in. (790 mm)
Cylinder rods	Ground, heat-treated, chrome-plated, polished	
Boom cylinder rods	2.25-in. (57 mm) dia.	
Bucket cylinder rods	1.75-in. (44.5 mm) dia.	

Undercarriage: 5-roller track frame with full-length rock guards. Dura-Trax™ deep-heat-treated components.

Standard Gauge	
Triple semi-grouser, open-center	14 in. (356 mm)
Track shoes, each side	37
Ground contact area	2128 sq. in. (13 729 cm ²)
Ground pressure	6.1 psi (55.8 kPa) (0.569 kg/cm ²)
Length of track on ground	76 in. (1930 mm)
Track gauge	52 in. (1321 mm)
Carrier roller	1
Adjustment	Hydraulic
Clearance at rear crossbar	14.25 in. (362 mm)

Wide Track	
Triple semi-grouser, open-center	21 in. (533 mm)
Track shoes, each side	37
Ground contact area	3192 sq. in. (20 595 cm ²)
Ground pressure	5.6 psi (38.6 kPa) (0.394 kg/cm ²)
Length of track on ground	76 in. (1930 mm)
Track gauge	60 in. (1524 mm)
Carrier roller	1
Adjustment	Hydraulic
Clearance at rear crossbar	14.25 in. (362 mm)

	U.S.	Liters
Capacities:		
Cooling system	4 gal.	15.1
Fuel tank	31 gal.	117.3
Crankcase, including filter	15 qt.	14.2
Transmission	8 gal.	30.3
Final drive (each)	6.25 qt.	5.9
Loader hydraulic reservoir	7 gal.	26.5
Loader hydraulic system	13 gal.	49.2
Steering clutch housing (each side)	14 qt.	13.2

Additional Standard Equipment:

- Adjustable seat w/armrests
- Boom safety lock bar
- Bottom guard counterweight w/fixed drawbar
- Bucket level indicator
- Cold-weather starting aid
- Electric hourmeter
- Engine side shields
- Front idler shield
- Front hitch
- Front and rear bottom guards
- Horn
- Isolation mounted ROPS w/canopy and seat belt
- Key switch start
- Muffler
- Pre-cleaner
- Radiator sand shield
- Return to dig
- Sprocket weights
- Trash-resistant radiator
- Vandal protection

SAE Operating Weight w/ROPS:

Standard Gauge	17,170 lb. (7790 kg)
Wide Track	17,750 lb. (8051 kg)

Special Equipment:

- Altitude compensating engine turbocharger
- Brush screens
- Cab (includes ROPS)
- Lights
- Limb risers w/overhead exhaust
- Master electrical disconnect switch
- PTO (1000 rpm)
- Rear counterweight for multipurpose
 - bucket or log loader
- 13-inch (330 mm) rubber shoes
- Two batteries
- Winch drive