



455D LOADER

FEATURES

67 SAE net hp (50 kW)

Single-lever loader control

Power Shift Hi-Lo-Reverse

Dura-Trax™ undercarriage with boron-steel deep-heat-treated, strutted, sealed track links; deep-heat-treated sealed rollers; boron-steel through-hardened grouser; sealed front idler and carrier roller

Self-adjusting, oil-cooled steering clutches and brakes

Roll-over protective structure (ROPS)

Vandal protection

ADD VERSATILITY WITH:

Winch

Fairlead and drawbar

Ripper

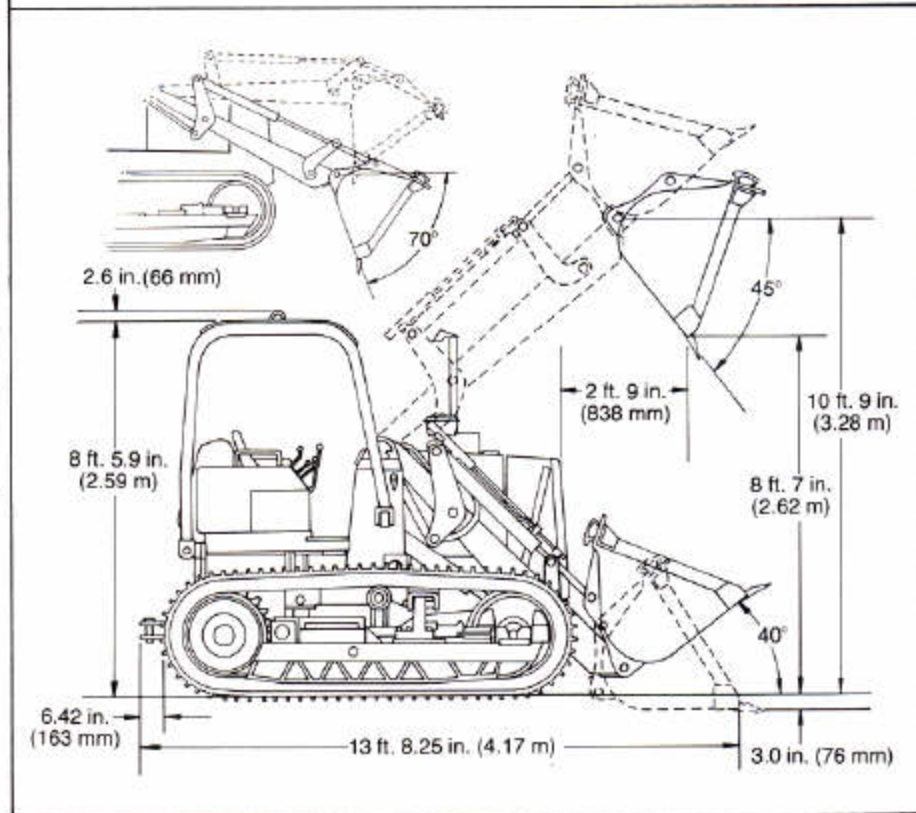
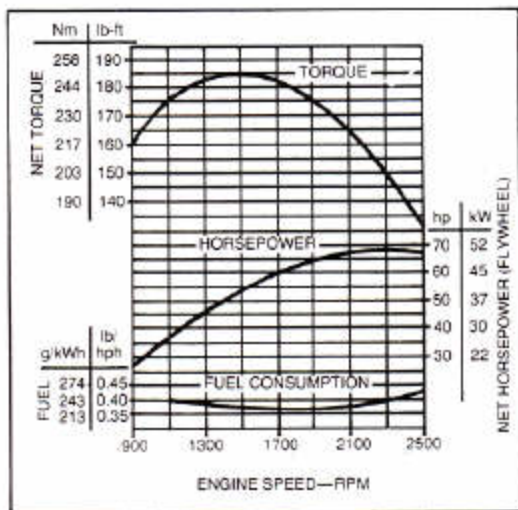
Backhoe

Multipurpose bucket

Log and lumber fork

Integral log arch

ENGINE PERFORMANCE



LOADER SPECIFICATIONS

	SAE Heaped Capacity	Width
Buckets:		
Digging	1¼ cu. yd. (0.96 m³)	72.25 in. (1.84 m)
Multipurpose	1½ cu. yd. (0.96 m³)	73 in. (1.85 m)

Operating Information:

Breakout force	15,174 lb. (67.5 kN) (6883 kg)
SAE tipping load	11,000 lb. (4990 kg)
Maximum dumping angle	.50 deg.
Raising time	7.0 sec.
Dumping time	1.6 sec.
Lowering time	4.0 sec.

455D LOADER SPECIFICATIONS

(Specifications and design subject to change without notice. Wherever applicable, specifications are in accordance with ICED and SAE Standards. Except where otherwise noted, these specifications are based on a unit equipped with 1¼ cu. yd. (0.95 m³) digging bucket w/teeth, roll-over protective structure, full fuel tank, 175-lb. (79 kg operator) and standard equipment.)

Power (@ 2500 engine rpm):	SAE	DIN
Gross	72 hp (53.7 kW)	
Net	67 hp (50 kW)	68 hp (50 kW)

Net engine flywheel power is for an engine equipped with fan, air cleaner, water pump, lubricating oil pump, fuel pump, alternator and muffler. The gross engine power is without fan. Flywheel power ratings are under SAE standard conditions of 500-ft. (150 m) altitude and 85°F (29.5°C) temperature, and DIN 6270 conditions (non-corrected). No derating is required up to 10,000 feet (3050 m) altitude.

Engine: John Deere 4-cyl. turbocharged diesel, 4-stroke cycle	
Bore and stroke	4.02×4.33 in. (102×110 mm)
Piston displacement	219 cu. in. (3.589 L)
Compression ratio	16.2 to 1
Maximum torque @ 1400 rpm	190 lb-ft (258 Nm) (26.3 kg-m)
Torque rise	35 percent
NACC or AMA (U.S. Tax) horsepower	25.8
Lubrication	Pressure system w/full-flow filter
Main bearings	5
Cooling	Pressurized w/thermostat and fixed bypass
Fan	Blower
Air cleaner w/restriction indicator	Dry
Electrical system	12-volt w/alternator
Battery (12 volt)	Reserve capacity: 180 minutes

Transmission H-L-R: 4 speed ranges; with high, low and reverse speeds shifted hydraulically without clutching in each range.

Clutch 11-in. (279 mm) single-disk

Gear	Travel Speeds		Gear	Travel Speeds	
	mph	km/h		mph	km/h
Range 1			Range 3		
Low	1.3	2.1	Low	3.0	4.8
High	1.8	2.9	High	4.3	6.9
Reverse	1.7	2.7	Reverse	4.1	6.6
Range 2			Range 4		
Low	2.0	3.2	Low	4.7	7.6
High	2.8	4.5	High	6.7	10.8
Reverse	2.7	4.3	Reverse	6.4	10.3

Steering:

Steering clutches and brakes are controlled by a single lever for each track. A pedal provides braking and lock-down for parking.

Clutches Oil-cooled, hydraulically-actuated, multiple-disk, 11-in. (279 mm) disks; 16 friction surfaces per clutch.

Brakes Self-adjusting, self-energizing, oil-cooled contracting band with bonded lining.

Hydraulic System:

Control	Single-lever triple hydraulic system
Pump	Gear, 28 gpm (1.76 L/s)
Pressure	2250 psi (15 514 kPa) (158.2 kg/cm²)
Oil lines	Seamless steel tubing; double-wire-braid hose
Filter	Spin-on micron

Hydraulic Cylinders:	Bore	Stroke
Boom, two	4.25 in. (108 mm)	28.25 in. (718 mm)
Bucket, two	3.5 in. (89 mm)	31.1 in. (790 mm)
Cylinder rods	Ground, heat-treated, chrome-plated, polished	
Boom cylinder rods	2.25 in. (57 mm) dia.	
Bucket cylinder rods	1.75 in. (44 mm) dia.	

Undercarriage: 5-roller track frame with full-length rock guards, Dura-Trax™ deep-heat-treated components.

Triple semi-grouser, open-center	14 in. (356 mm)
Track shoes, each side	37
Ground contact area	2128 sq. in. (13 729 cm²)
Ground pressure	8.1 psi (55.8 kPa) (0.569 kg/cm²)
Length of track on ground	76 in. (1.93 m)
Track gauge	52 in. (1.32 m)
Carrier roller	1
Adjustment	Hydraulic
Clearance at rear crossbar	14.25 in. (362 mm)

Capacities:	U.S.	Liters
Cooling system	4 gal.	15.1
Fuel tank	31 gal.	117.3
Crankcase, including filter	9 qt.	8.5
Transmission	8 gal.	30.3
Final drive (each)	6.25 qt.	5.9
Loader hydraulic reservoir	7 gal.	26.5
Loader hydraulic system	13 gal.	49.2
Steering clutch housing (each side)	28 qt.	26.5

Additional Standard Equipment:

Boom safety lock bar
 Bottom guard counterweight
 w/fixed drawbar
 Bucket level indicator
 Cold-weather starting aid
 Deluxe cushion seat w/armrests
 Electric hourmeter
 Engine side shields
 Front idler shield
 Front hitch
 Front and rear bottom guards
 Horn
 Key switch w/pushbutton safety
 start
 Lights
 Master electrical disconnect switch
 Muffler
 Precleaner
 Radiator sand shield
 Return to dig
 ROPS w/canopy and seat belt
 Sprocket weights
 Tachometer
 Trash-resistant radiator
 Vandal protection

SAE Operating Weight w/ROPS 17,150 lb. (7780 kg)

Special Equipment:

Brush screens
 Cab (includes ROPS)
 Cigaret lighter
 Limb risers w/overhead exhaust
 PTO (1000 rpm)
 Rear counterweight for multipurpose
 bucket or log loader
 13-in. (330 mm) rubber shoes
 Two batteries
 Winch drive