



355D LOADER

FEATURES

- 48 SAE net hp (36 kW)
- Single-lever loader control
- Hydraulic direction reverser
- Hydraulic track adjustment
- Walk-through compartment
- Self-adjusting, oil-cooled steering clutches and brakes
- Roll-over protective structure (ROPS)
- Vandal protection

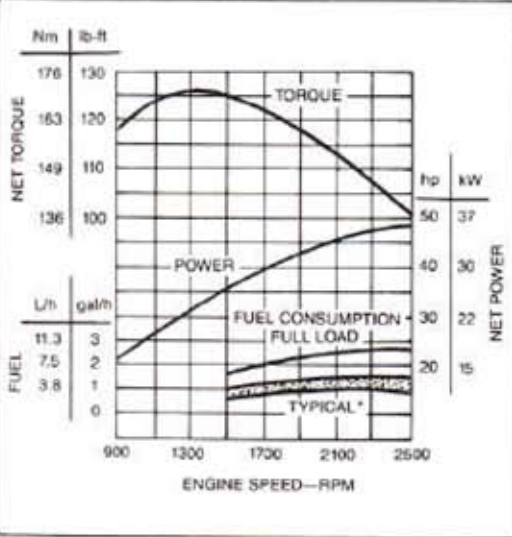
ADD VERSATILITY WITH:

- Multipurpose bucket
- Ripper
- Backhoe
- Winch
- Integral log arch
- Basic lumber fork
- Log and pulpwood fork



Model shown may include options.

ENGINE PERFORMANCE



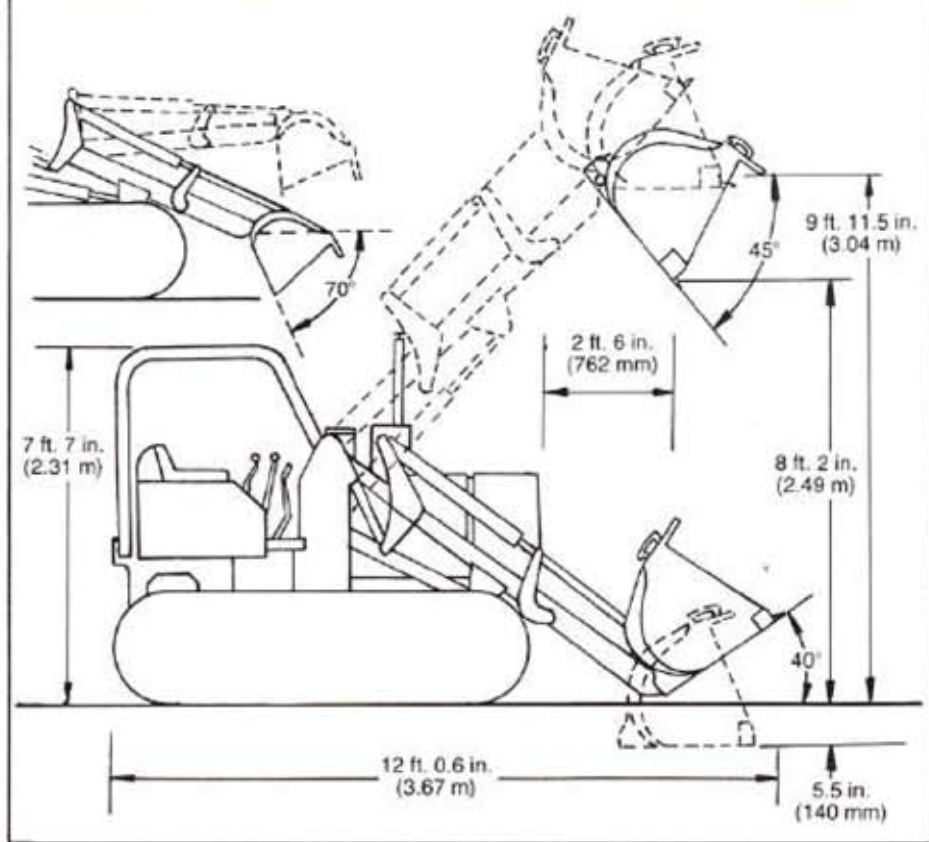
* Depending on operating variables

LOADER SPECIFICATIONS

Buckets:	SAE Heaped Capacity	Width
Digging or Multipurpose	¾ cu. yd. (0.57 m ³)	66 in. (1.68 m)

Operating Information:

Breakout force	12,100 lb. (54 kN) (5488 kg)
SAE tipping load	7150 lb. (3423 kg)
Maximum dumping angle	50 deg.
Raising time	6.5 sec.
Dumping time	1.5 sec.
Lowering time	4.0 sec.



355D LOADER SPECIFICATIONS

Specifications and design are subject to change without notice. Wherever applicable, specifications are in accordance with SAE Standards. Except where otherwise noted, these specifications are based on a unit with ¼ cu. yd. (0.57 m³) digging bucket width, roll-over protective structure, full fuel tank, 175-lb. (80 kg) operator and standard equipment.

Rated Power @ 2500 rpm:	SAE	DIN 6270
Net	48 hp (36 kW)	36 kW
Gross	50 hp (37 kW)	

Net engine power is with standard equipment including air cleaner, exhaust system, alternator, and cooling fan, at standard conditions per SAE J1349 and DIN 6270, using No.2-D fuel @ 35 API gravity. Gross power is without cooling fan.

Engine: John Deere 3-179D

Type	4-stroke cycle, naturally aspirated diesel
Bore and stroke	4.19 x 4.33 in. (106.5 x 110 mm)
No. of cylinders	3
Displacement	179 cu. in. (2.934 L)
Maximum net torque @ 1300 rpm ..	126 lb-ft (171 Nm) (17.4 kg-m)
Torque rise	25 percent
Cooling fan	Blower
Compression ratio	17.8 to 1
Main bearings	4
Lubrication	Pressure system w/full-flow filters
Dual-stage aspirated air cleaner w/restriction indicator	Dry
Electrical system	12-volt w/alternator
Battery (12 volt)	Reserve capacity: 180 minutes

Transmission

Selective sliding gear

Hydraulic Direction Reverser

Multiple-disk oil clutches

Travel Speeds

Gear	Rev. or Fwd.	mph	km/h
1st		1.4	2.3
2nd		1.9	3.1
3rd		3.3	5.3
4th		6.5	10.5

Steering:

Steering clutches and brakes are controlled by a single lever for each track. A pedal provides braking, and lockdown for parking. Clutches

Oil-cooled, hydraulically actuated, multiple-disk, 9-in. (228 mm) disks; 16 friction surfaces per clutch.

Brakes Self-adjusting, self-energizing, oil-cooled contracting band with bonded lining.

Hydraulic System:

Pressure

2250 psi (15 514 kPa) (158.2 kg/cm²)

Control

Single-lever, triple hydraulic system

Pump

Gear, 23 gpm (1.45 L/s) @ 2500 engine rpm

Oil lines

Seamless steel tubing, double-wire braid hose

Filter

Micronic in return line

Hydraulic Cylinders:

	Bore	Stroke
Boom, two	3.75 in. (95 mm)	27.8 in. (706 mm)
Bucket, two	2.75 in. (70 mm)	30.5 in. (775 mm)
Cylinder rods	Ground, heat-treated, chrome-plated, polished	
Boom cylinder rods	2-in. (51 mm) dia.	
Bucket cylinder rods	1.5-in. (38 mm) dia.	

Tracks (5-roller track frames w/rock guards):

Triple semi-grouser, open center shoes	12 in. (305 mm)
Track shoes, each side	36
Ground contact area	1662 sq. in. (10 723 cm ²)
Ground pressure	7.2 psi (49.6 kPa) (0.506 kg/cm ²)
Length of track on ground	69.3 in. (1.76 m)
Track gauge	48 in. (1.22 m)
Carrier roller	1
Adjustment	Hydraulic
Clearance at rear crossbar	13.25 in. (337 mm)

Capacities:

	U.S.	Liters
Cooling system	3.25 gal.	12.3
Fuel tank	22 gal.	83
Crankcase, including filter	9 qt.	8.5
Transmission—steering clutch housings and final drives	10 gal.	38
Direction reverser	12 qt.	11.3
Loader hydraulic reservoir	6.4 gal.	24.2
Loader hydraulic system	10 gal.	38

Additional Standard Equipment:

Adjustable seat w/armrests
Boom safety lock bar
Bottom guard counterweight w/fixed drawbar
Bucket level indicator
Electric hourmeter
Engine sideshields
Front and rear bottom guard
Front hitch
Horn
Key switch w/pushbutton start
Precleaner
Radiator sand shield
Return to dig
ROPS w/canopy and seat belt
Sprocket weights
Transistorized voltage regulator
Trash-resistant radiator
Vandal protection

SAE Operating Weight w/ROPS

12,400 lb. (5625 kg)

Special Equipment:

Bolt-in rear screen
Brush screens
Cab (includes ROPS)
Ether starting aid
Final drive guards
Lights
Limb risers and overhead exhaust
Master electrical disconnect switch
Rear counterweight for multipurpose
bucket or log loader
10 in. (254 mm) rubber shoes
Two batteries
Winch drive