



550A/6405 BULLDOZER

FEATURES

78 SAE net hp (58 kW)

Single lever controls all dozer functions

Power Shift transmission with torque converter

Dura-Trax™ undercarriage with:
Boron steel, deep-heat-treated, strutted, sealed track links

Deep-heat-treated sealed rollers; boron steel through-hardened grousers

Sealed front idler and carrier roller

Self-adjusting, oil-cooled steering clutches and brakes

Roll-over protective structure (ROPS)

Vandal protection

ADD VERSATILITY WITH:

Winch

Fairlead and drawbar

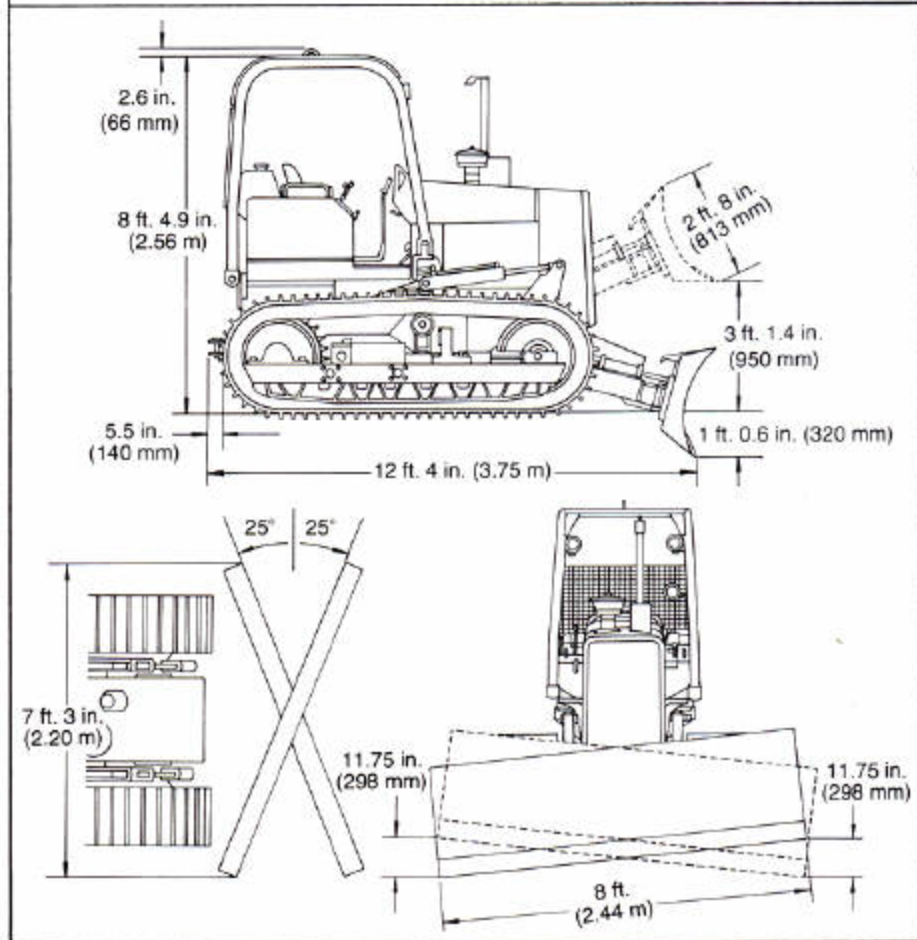
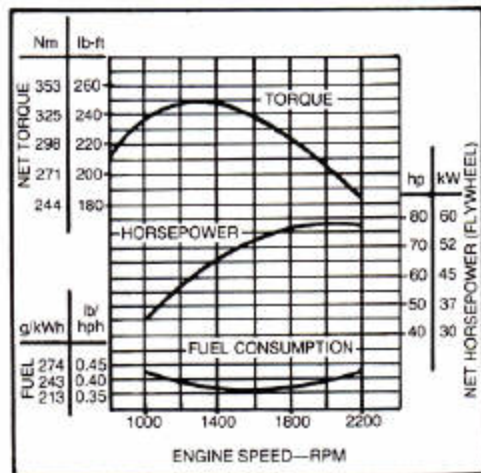
Integral log arch

Backhoes

Ripper

Sideboom

ENGINE PERFORMANCE



550A/6405 BULLDOZER SPECIFICATIONS

(Specifications and design subject to change without notice. Wherever applicable, specifications and design are in accordance with ICED and SAE Standards. Except where otherwise noted, these specifications are based on a unit with roll-over protective structure, full fuel tank, 175-lb. (79 kg) operator and standard equipment.)

Power (@ 2200 engine rpm):	SAE	DIN
Gross	86 hp (64 kW)	
Net	78 hp (58 kW)	79 hp (58 kW)

Net engine flywheel power is for an engine equipped with fan, air cleaner, water pump, lubricating oil pump, fuel pump, alternator and muffler. The gross engine power is without fan. Flywheel power ratings are under SAE standard conditions of 500-ft. (150 m) altitude and 85° F (29.5°C) temperature, and DIN 6270 conditions (non-corrected). No derating is required up to 10,000 feet (3059 m) altitude.

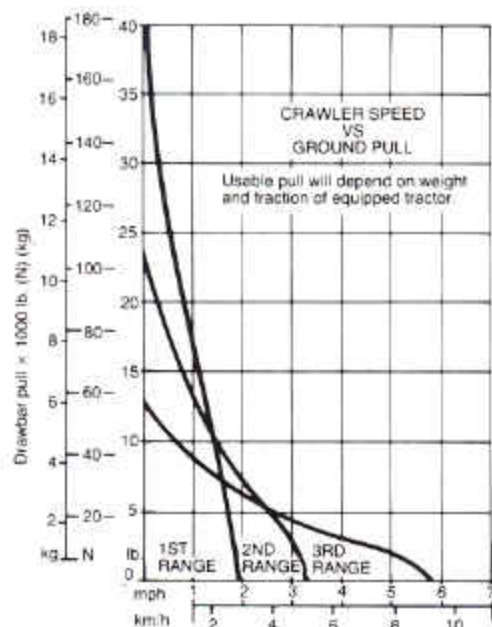
Engine: John Deere, 4-cylinder, turbocharged diesel, 4-stroke cycle

Bore and stroke	4.19×5.00 in. (106.4×127 mm)
Piston displacement	276 cu. in. (4.524 L)
Compression ratio	16.2 to 1
Maximum torque @ 1300 rpm	250 lb-ft (339 Nm) (34.6 kg-m)
Torque rise	34 percent
NACC or AMA (U.S. Tax) horsepower	28
Lubrication	Pressure system w/full-flow filter and cooler
Main bearings	5
Cooling	Pressurized w/dual thermostat and controlled bypass
Fan	Blower
Air cleaner w/restriction indicator	Dry
Electrical system	12-volt
Battery	Reserve capacity: 180 minutes

Transmission

Converter-driven, 3-speed forward and reverse, Power Shift
--

Range:	Travel Speeds:			
	mph		km/h	
	Fwd.	Rev.	Fwd.	Rev.
1	2.05	2.44	3.30	3.93
2	3.34	3.96	5.37	6.37
3	5.73	6.80	9.22	10.94



Steering:
Steering clutches and brakes are controlled by a single lever for each track. (Pedal steering optional). A pedal provides braking, and lock-down for parking.
Clutches

Oil-cooled, hydraulically actuated, multiple-disk, 11-in. (279 mm) disks; 16 friction surfaces per clutch.
--

Brakes

Self-adjusting, self-energizing, oil-cooled contracting band with bonded lining.
--

Hydraulic System: Open-center

Control	Single "T-bar", triple hydraulic valve
Pump	Gear, 17 or 23 gpm (1.07 or 1.45 L/s)
Pressure	2250 psi (15 514 kPa) (158.2 kg/cm ²)

Hydraulic Cylinders:	Bore	Stroke
Lift, two	3.5 in. (89 mm)	15 in. (381 mm)
Angle, two	3.5 in. (89 mm)	13.375 in. (343 mm)
Tilt, one	3.5 in. (89 mm)	3 in. (76 mm)
Cylinder rods	Ground, heat-treated, chrome-plated, polished	
Cylinder pivot pins	Hardened steel (replaceable bushings)	

Undercarriage: 5-roller track frame with full-length rock guards, Dura-Trax™ deep-heat-treated components.

Grouser	16 in. (406 mm)
Track shoes, each side	36
Ground contact area	2328 sq. in. (15 019 cm ²)
Ground pressure	6.8 psi (46.9 kPa) (0.478 kg/cm ²)
Length of track on ground	72.75 in. (1.85 m)
Track gauge	52 in. (1.32 m)
Carrier roller	1
Adjustment	Hydraulic
Clearance at rear crossbar	14.25 in. (362 mm)

Blade: Reinforced, box-welded

Cutting edge	3-piece, reversible, replaceable
Center section	0.625 in. (16 mm)
End bits	0.75 in. (19 mm)

Capacities:	U.S.	Liters
Cooling system	5 gal.	18.9
Fuel tank	36 gal.	136.3
Crankcase, including filter	15 qt.	14.2
Transmission	13.5 gal.	51.1
Final drive (each)	6.25 qt.	5.9
Hydraulic reservoir	6.0 gal.	22.7
Hydraulic system	9.5 gal.	36.0
Steering clutch housing (each side)	28 qt.	26.5

Additional Standard Equipment:

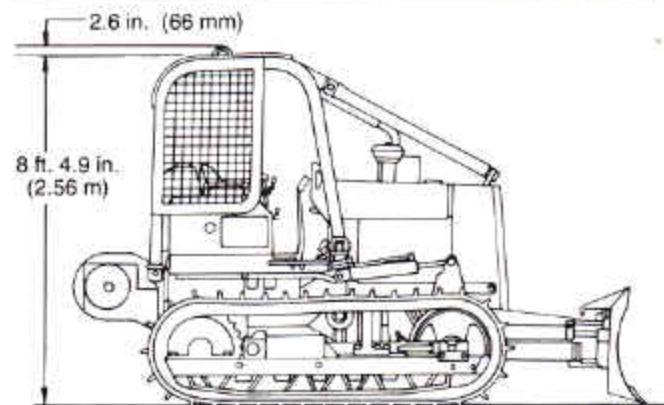
Cold-weather starting aid	Perforated engine side shields
Decelerator	Pre-cleaner
Deluxe cushion seat w/armrests	Pushbutton start switch
Electric hourmeter	Rubber-mounted ROPS w/seat belt
Enclosed alternator w/solid-state regulator	Trash-resistant radiator
Front and rear bottom guard	Vandal protection
Front hitch	
Horn	
Key switch	
Lights	
Master electrical disconnect switch	
Outer sprocket shields	

SAE Operating Weight w/ROPS

15,820 lb. (7175 kg)

Special Equipment:

- Auxiliary hydraulic system w/ or w/o breakaway couplings
- Battery, 360-min. reserve capacity
- Brush screens
- Cab (includes ROPS) w/seat belt
- Cast steel end bits
- Cigaret lighter
- Front idler shields
- Limb risers w/overhead exhaust
- Pedal steering
- Radiator, abrasion resistant
- Radiator sand shield
- 16-in. (406 mm) open-center grouser shoes
- Swinging drawbar
- 13-in. (330 mm) rubber shoes
- 3-in. (76 mm) seat belt
- Winch drive



Limb risers and brush-protection assembly for roll-over protective structure