



MODEL W20C
WITH F.A.C.T. SYSTEM

Wheel Loader

Case self-leveling in-line loader linkage

American Coupler self-aligning male master

Choice of over 80 different attachments

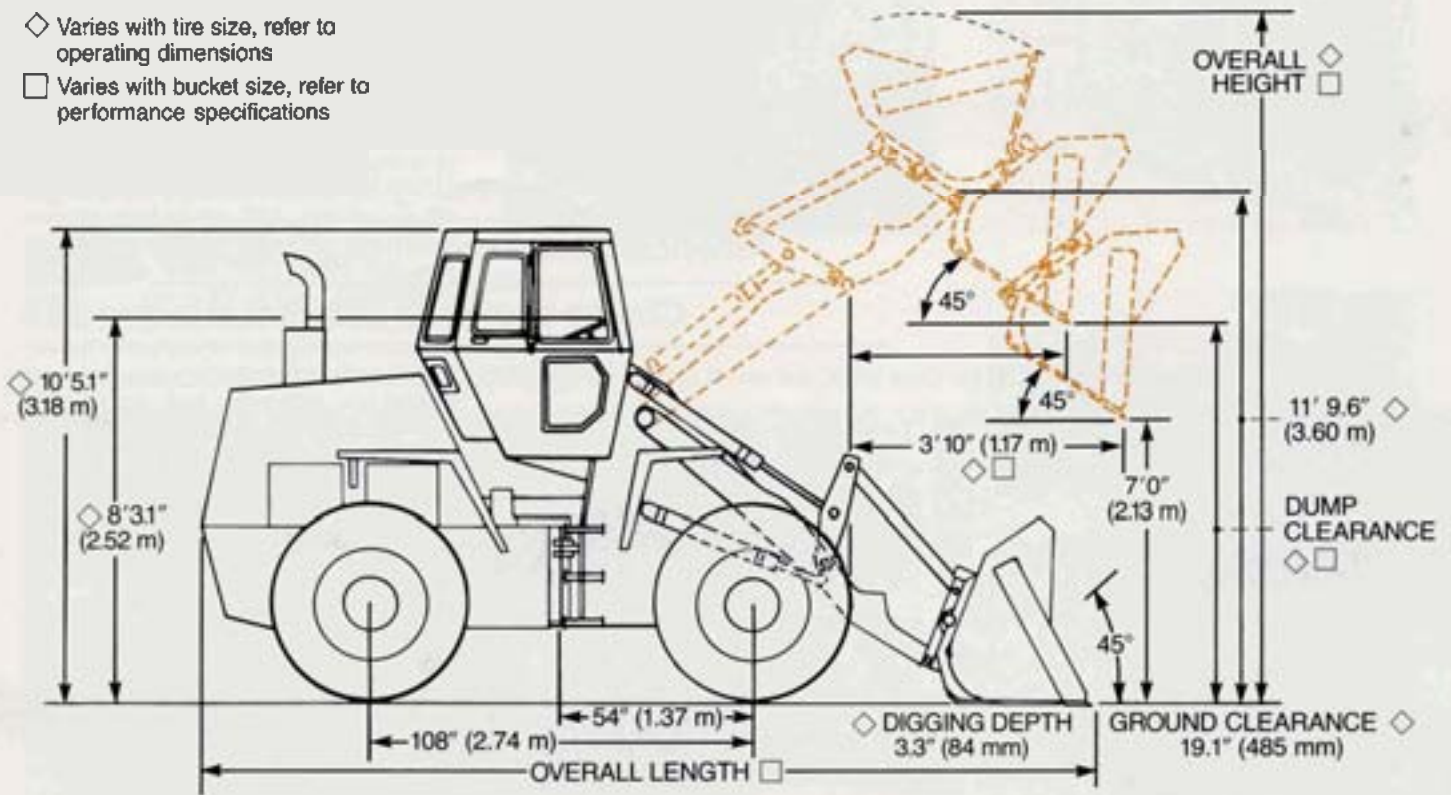
Attachments used on the Case W20C will also fit up with the 1155E Crawler Loader and the 780C Loader/Backhoe.

FACT[™]
FAST ATTACHMENT COUPLING TEAM



PERFORMANCE DATA—BUCKETS

- ◇ Varies with tire size, refer to operating dimensions
- Varies with bucket size, refer to performance specifications



PERFORMANCE SPECIFICATIONS — Buckets — Loader ratings are governed by SAE J732 and 742

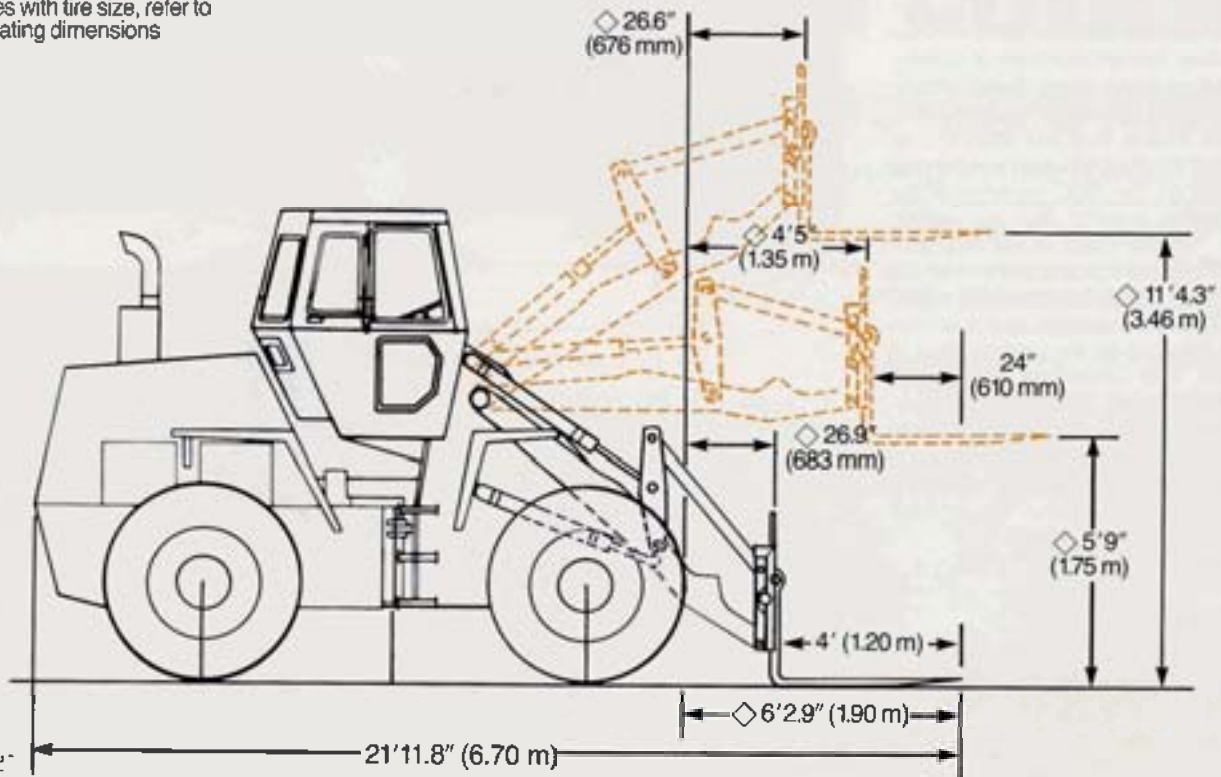
ATTACHMENT	GENERAL PURPOSE	
SAE rated (nominally heaped)	2.5 yd ³ (1.9 m ³)	2.0 yd ³ (1.53 m ³)
Struck	2.04 yd ³ (1.55 m ³)	1.63 yd ³ (1.25 m ³)
Cutting edge width	96" (2.44 m)	96" (2.44 m)
Weight	2,698 lbs (1225 kg)	2,536 lbs (1151 kg)
Dump clearance @ 45° dump-full height	8' 3" (2.51 m)	8' 5" (2.57 m)
Bucket reach @ full height and 45° dump	3' 0" (.91 m)	2' 6" (.76 m)
Bucket reach @ 7' (2.13 m) clearance and 45° dump	4' 2" (1.22 m)	3' 10" (1.17 m)
Loader clearance circle-bucket in carry position	36' 1" (110 m)	35' 11" (10.9 m)
Overall length	21' 2" (6.40 m)	20' 10" (6.35 m)
Overall height	15' 9" (4.80 m)	15' 6" (4.72 m)
SAE breakout force	15,400 lbf (68.5 kN)	16,620 lbf (74.0 kN)
SAE tipping load*		
Straight	15,940 lbs (7237 kg)	16,400 lbs (7446 kg)
40° turn	13,570 lbs (6161 kg)	13,990 lbs (6352 kg)
Operating load*	6,785 lbs (3080 kg)	6,995 lbs (3176 kg)
Rated load**	6,800 lbs (3087 kg)	6,800 lbs (3087 kg)
Hydraulic lifting capacity @ full height	10,611 lbs (4817 kg)	10,820 lbs (4912 kg)
SAE operating weight†	25,060 lbs (11,377 kg)	24,900 lbs (11,305 kg)

*For select items, add to or deduct from the machine operating and tipping loads as given in the chart. All dimensions and specifications based upon unit with 20.5x25, XRAT 1" tires with standard and auxiliary counterweights, ROPS cab, fenders, F.A.C.T. coupler and attachment specified, fully serviced and with 175 lb (79 kg) operator.

**Continuous load exceeding specified rate load can affect service life of machine.

PERFORMANCE DATA — CONSTRUCTION DUTY FORKS

◇ Varies with tire size, refer to operating dimensions



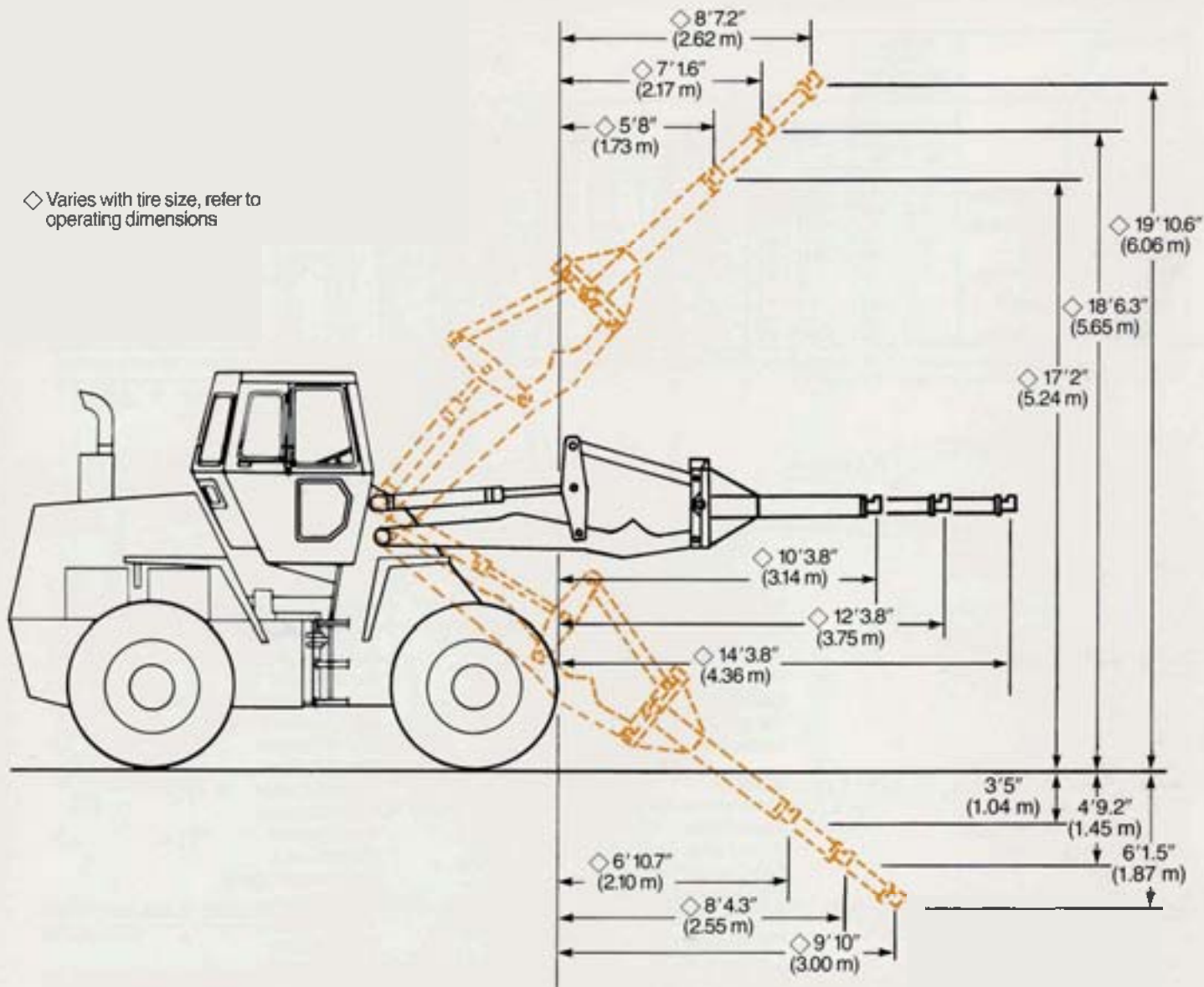
PERFORMANCE SPECIFICATIONS — Construction Duty Forks

Fork tine size	2.5" x 6" x 48" (63 x 152 x 1219 mm)
Weight — Fork	1,410 lbs (640 kg)
Fork width (max) — outside to outside of tine	56.8" (1.5 m)
Fork clearance — ground to top of tine	11'4" (3.45 m)
Fork reach — maximum	4'5" (1.3 m)
Fork load center	24" (610 mm)
SAE tipping load*	
Straight	13,200 lbs (5993 kg)
40° turn	11,500 lbs (5221 kg)
Operating load*	5,750 lbs (2611 kg)
Clearance circle — forks in carry position	34'6" (10.5 m)
SAE operating weight*	24,300 lbs (11,032 kg)

* For select items, add to or deduct from the machine operating weight and tipping loads as given in the chart. All dimensions and specifications based upon unit with 20.5 x 25, X RAT 1" tires, with standard and auxiliary counterweights, ROPS cab, fenders, F.A.C.T. coupler and attachment specified, fully serviced and with 175 lb (79 kg) operator.

PERFORMANCE DATA — CONSTRUCTION DUTY JIB

◇ Varies with tire size, refer to operating dimensions



PERFORMANCE SPECIFICATIONS — Construction Duty Jib

ARM POSITION	Retracted	Mid-Position	Extended
Weight — Materials Handling Arm	1,140 lbs (518 kg)	1,140 lbs (518 kg)	1,140 lbs (518 kg)
Arm length — rear of backing plate to hook	6'6.3" (1.98 m)	8'6.3" (2.59 m)	10'6.3" (3.20 m)
SAE tipping load*			
Straight	9,200 lbs (4177 kg)	7,900 lbs (7587 kg)	7,000 lbs (3178 kg)
40° turn	8,100 lbs (3677 kg)	6,900 lbs (3133 kg)	6,100 lbs (2769 kg)
Operating load*	4,010 lbs (1839 kg)	3,490 lbs (1583 kg)	3,050 lbs (1385 kg)
Clearance circle — arm in carry position	38' (11.6 m)	40' (12.2 m)	42' (12.8 m)
SAE operating weight*	24,300 lbs (11 032 kg)	24,300 lbs (11 032 kg)	24,300 lbs (11 032 kg)

* For select items, add to or deduct from the machine operating weight and tipping loads as given in the chart. All dimensions and specifications based upon unit with 20.5 x 25, X RAT 1" tires, with standard and auxiliary counterweights, ROPS cab, fenders, F.A.C.T. coupler and attachment specified, fully serviced and with 175 lb (79 kg) operator.

PERFORMANCE DATA

Selected Items	Operating Weight Adjustments (All Attachments)	Tipping Load Adjustments																
		Buckets				Forks				Jib (Extended)				Jib (Retracted)				
		Straight		40° Turn		Straight		40° Turn		Straight		40° Turn		Straight		40° Turn		
lbs	kg	lbs	kg	lbs	kg	lbs	kg	lbs	kg	lbs	kg	lbs	kg	lbs	kg			
17.5 x 25, L2, 12 PR	-1060	-481	-950	-431	-750	-341	-560	-254	-500	-227	-270	-123	-230	-104	-380	-176	-330	-150
▲17.5 x 25, L2, 12 PR w/75% CaCl ₂	-1020	-463	-1420	-645	-1090	-492	-950	-431	-790	-359	-480	-218	-390	-177	-640	-291	-530	-241
17.5 x 25, L3, 12PR	-960	-436	-890	-404	-690	-313	-510	-231	-450	-204	-250	-114	-220	-100	-340	-154	-300	-136
▲17.5 x 25, L3, 12 PR w/75% CaCl ₂	-910	-413	-1360	-617	-1030	-466	-890	-404	-740	-336	-450	-204	-360	-163	-600	-272	-500	-227
20.5 x 25, L2, 12 PR	-600	-272	-570	-259	-400	-182	-330	-150	-290	-132	-110	-50	-100	-45	-210	-95	-190	-86
17.5 x 25, XRAT 1*	-810	-368	-670	-304	-490	-222	-430	-195	-390	-177	-210	-95	-180	-82	-290	-132	-250	-114
▲17.5 x 25, XRAT 1* w/75% CaCl ₂	-760	-345	-1150	-522	-820	-372	-820	-372	-670	-304	-420	-191	-330	-150	-550	-250	-450	-204
20.5 x 25, XRAT 1*	0	0	0	0	0	0	0	0	0	0	0	0	0	0	0	0	0	0
With ROPS canopy ILO cab	-530	-241	-390	-177	-370	-168	-330	-150	-330	-150	-160	-73	-150	-68	-220	-100	-210	-95
Without fenders	-202	-92	-230	-104	-210	-95	-190	-86	-180	-82	-60	-27	-50	-22	-90	-41	-80	-36
Without auxiliary counterweight	-1172	-532	-2030	-922	-1640	-745	-1640	-745	-1400	-636	-840	-381	-710	-322	-1130	-513	-960	-436

▲NOTE: Tires which are ballasted with CaCl₂ do not include the 1172 lb (532 kg) auxiliary counterweight. When the standard counterweight is installed, either the auxiliary counterweight or tire ballast, but not both, may be used.

OPERATING DIMENSIONS

Tire Options	17.5 x 25, L2/L3 tires	17.5 x 25, X RAT 1* tires	20.5 x 25, L2 tires	20.5 x 25, X RAT 1* tires
Tread	73" (1.85 m)	73" (1.85 m)	75.5" (1.92 m)	75.5" (1.92 m)
Width over tires	91" (2.31 m)	91" (2.31 m)	97.5" (2.48 m)	97.5" (2.48 m)
Increase in vertical dimensions	-2.1" (-53 mm)	-2.1" (-53 mm)	None	None

ATTACHMENT SELECTION

FACT COUPLER COMPONENTS

- Male Master (Automatic)
- Male Master (Manual)
- Female Blank

BUCKETS

- Extra Light Material
- Light Material
- General Purpose
- Rock Bucket Straight
- Rock Bucket V Edge
- Landfill Bucket
- Side Dump
- 4-in-1® Bucket
- Rock Tine Bucket
- Hot Slag Bucket
- Coal Rehandling Bucket
- High Dump Bucket
- Demolition Bucket
- Ejector Buckets
- "Claw" Bucket
- Scrap Grapple Bucket
- Skeleton Rock Bucket
- Tine (Rock) Bucket

SNOW AND ICE CONTROL

- Manual Reversing Snow Plow
- Power Reversing Snow Plow
- Snow Dozer
- V Plow
- One-way Plow
- Snow Wings
- Snow Blowers
- Snow Baskets
- Runway Plows
- Salt Spreaders
- Snow Bucket

BOOMS

- Standard Lift Boom
- Magnet Boom
- Rail Threader Boom
- Coil Handling Boom
- Stinger Boom
- Boom with Hydraulic Winch

FORKS

- Material Handling Forks
- Pallet Forks
- Wide Forks
- Top Clamp Forks
- Pipe Handling Forks
- Paddle Top Clamp Forks
- Hydraulically Adjustable Forks
- Car Body Forks
- Elevated Lift Mast Fork
- Lumber Fork
- Top Clamp Log Fork
- Top Clamp Lumber Fork
- Cement Block Fork

GRADING-EXCAVATING BLADES

- Straight Dozer Blade
- Manual Angle Blade
- Power Angling Blade
- Modified U Blade
- Coal Blade
- Cleaning Blade
- Landfill Dozer Blade
- Root Blade
- Woodchip Blade

MISCELLANEOUS ATTACHMENTS

- Front-mounted Backhoe
- Rotary Brooms
- Earth Auger
- Tree Shear/Feller Buncher
- Compaction Wheel
- Barrel Handler
- Barrel Rotator
- Asphalt Cutter
- Rock Grappler
- Tree Spades
- Push Blocks
- Post Hole Diggers
- Post Drivers
- Rotary Drills
- Flail Mowers
- Cane Grapple
- Demolition Grapple
- Loader Rakes
- Stacking Rake
- Bale Handler
- Transplant (Tree) Scoop
- Fixed Railcar Coupler
- Manual Slide Railcar Coupler
- Auto Slide Railcar Coupler

FAST ATTACHMENT COUPLING TEAM (FACT)

FAST ATTACHMENT COUPLING TEAM

JI Case and American Coupler have joined forces to help you get the most return from your Case machinery investment with a quick and easy way to change front-mounted attachments. We call it FACT—our Fast Attachment Coupling Team. Not only can you use any of the over 80 specialized attachments on Case wheel loaders, loader/backhoes or crawler loaders, but you can share these attachments between the units in the FACT teams. This means that any attachments you have for the W20C wheel loader can also be used on the 780C backhoe or the 1155E crawler loader. But innovation doesn't stop there. FACT is the only self-aligning, single-point pickup system on the market today. It consists of a master frame pinned to the loader linkage and a receiving blank attached to the working tool of your choice. And remember, you have a choice from a team of over 80 attachments. FACT products are available directly from your Case dealer. Become a part of the team. Increase the versatility and dollar return of your equipment. Make it a FACT.



Sold and serviced by:

NOTE: All specifications are stated in accordance with ICED Definitions or SAE Standards or Recommended Practices, where applicable.

IMPORTANT

JI Case Company reserves the right to change these specifications without notice and without incurring any obligation relating to such changes. Unit illustrated is equipped with non-standard items.

JI Case
A Tenneco Company



700 State Street Racine, WI 53404 U.S.A.

Building On Quality™