



450C/6405 BULLDOZE

FEATURES

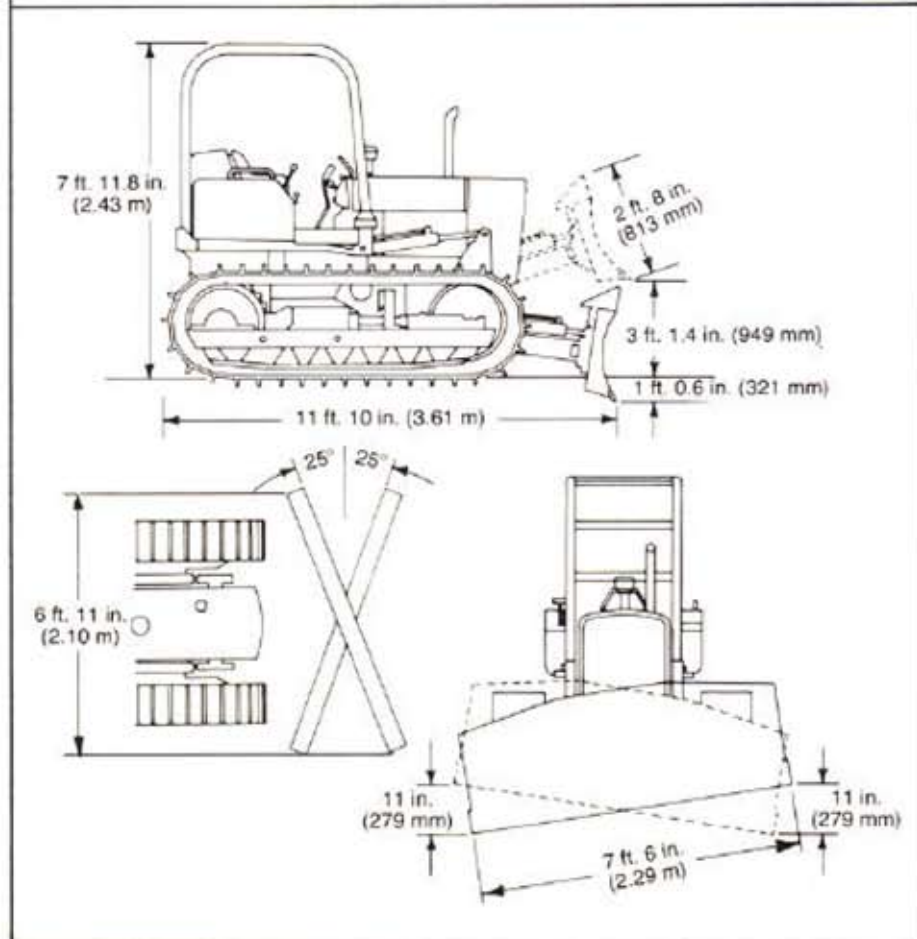
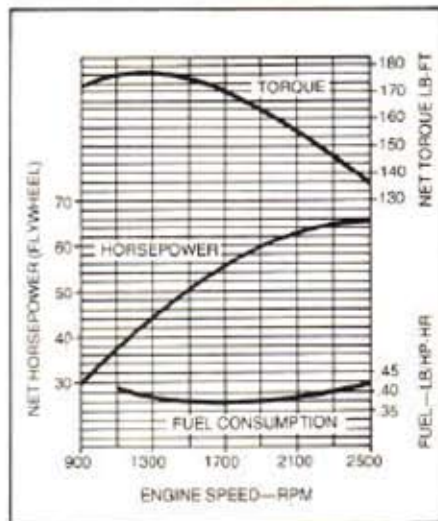
- 65 SAE net hp (48.5 kW)
- Single lever controls all dozer functions
- Power shift Hi-Lo-Reverse
- Hydraulic track adjustment
- Sealed track rollers and idlers
- Sealed track links
- Self-adjusting, oil-cooled steering clutches and brakes
- Roll-over protective structure (ROPS)
- Vandal protection

ADD VERSATILITY WITH:

- Winch
- Fairlead and drawbar
- Integral log arch
- Backhoes
- Sideboom
- Ripper



ENGINE PERFORMANCE



450C/6405 BULL DOZER SPECIFICATIONS

(Specifications and design subject to change without notice. Wherever applicable, specifications are in accordance with ICED and SAE Standards. Except where otherwise noted, these specifications are based on a unit with roll-over protective structure and standard equipment.)

| Power (@ 2500 engine rpm): | SAE | DIN |
|----------------------------|-------------------|---------|
| Gross | 70 hp (52.2 kW) | |
| Net | 65 hp (48.5 kW) | 65.9 PS |
| Drawbar | 48.6 hp (36.2 kW) | 49.3 PS |

Net engine flywheel power is for an engine equipped with fan, air cleaner, water pump, lubricating oil pump, fuel pump, and alternator. The gross engine power is without fan. Flywheel power ratings are under SAE standard conditions of 500-ft. altitude and 85° F. temperature, and DIN 6270 conditions (non-corrected). No derating is required up to 10,000 feet (3000 m) altitude.

Engine: John Deere 4-cyl. turbocharged diesel, 4-stroke cycle

| | |
|-------------------------------------|---|
| Bore and stroke | 4.02×4.33 in. (102×110 mm) |
| Piston displacement | 219 cu. in. (3.589 L) |
| Compression ratio | 16.2 to 1 |
| Maximum torque @ 1300 rpm | 178 lb-ft (241 Nm) (24.61 kg-m) |
| Torque rise | 30 percent |
| NACC or AMA (U.S. Tax) horsepower | 23.84 |
| Lubrication | Pressure system w/full-flow filter |
| Main bearings | 5 |
| Cooling | Pressurized w/thermostat and fixed bypass |
| Fan | Blower |
| Air cleaner w/restriction indicator | Dry |
| Electrical system | 12-volt w/alternator |
| Battery (12 volt) | Reserve capacity: 180 minutes |

Transmission H-L-R: 4 speed ranges; with high, low, and reverse speeds shifted hydraulically without clutching in each range.

Clutch 11-in. (279 mm) single-disk

| Gear: | Travel Speeds: | | Maximum Drawbar Pull: | | |
|--|----------------|------|-----------------------|-------|------|
| | mph | km/h | lb. | kN | kg |
| <i>(with adequate weight and traction)</i> | | | | | |
| Range 1 | | | | | |
| Low | 1.3 | 2.1 | 18,050 | 80.90 | 8188 |
| High | 1.8 | 2.9 | 12,600 | 56.48 | 5715 |
| Reverse | 1.7 | 2.7 | | | |
| Range 2 | | | | | |
| Low | 2.0 | 3.2 | 10,050 | 45.05 | 4559 |
| High | 2.8 | 4.5 | 7,050 | 31.60 | 3197 |
| Reverse | 2.7 | 4.3 | | | |
| Range 3 | | | | | |
| Low | 3.0 | 4.8 | 6,400 | 28.69 | 2903 |
| High | 4.3 | 6.9 | 4,250 | 19.05 | 1928 |
| Reverse | 4.1 | 6.6 | | | |
| Range 4 | | | | | |
| Low | 4.7 | 7.6 | 3,500 | 15.69 | 1588 |
| High | 6.7 | 10.8 | 2,350 | 10.53 | 1066 |
| Reverse | 6.4 | 10.3 | | | |

Steering:

Steering clutches and brakes are controlled by a single lever for each track. A pedal provides braking, and lock-down for parking.

Clutches Oil-cooled, hydraulically-actuated, multiple-disk, 11-in. (279 mm) disks; 16 friction surfaces per clutch.

Brakes Self-adjusting, self-energizing, oil-cooled contracting band with bonded lining.

Hydraulic System:

| | |
|----------|---|
| Control | Single "T-bar", triple hydraulic system |
| Pump | Gear, 15 or 23 gpm (0.9 or 1.45 L/s) |
| Pressure | 1750 psi (12 066 kPa) (123.0 kg/cm ²) |

Hydraulic Cylinders:

| | Bore | Stroke |
|---------------------|---|-----------------------|
| Lift, two | 3.5 in. (88.9 mm) | 15 in. (381 mm) |
| Angle, two | 3.5 in. (88.9 mm) | 13.375 in. (342.9 mm) |
| Tilt, one | 3.5 in. (88.9 mm) | 3 in. (76.1 mm) |
| Cylinder rods | Ground, heat-treated, chrome-plated, polished | |
| Cylinder pivot pins | Hardened steel (replaceable bushings) | |

Tracks (5-roller track frames w/rock guards):

| | |
|----------------------------|--|
| Grouser | 16 in. (406 mm) |
| Track shoes, each side | 36 |
| Ground contact area | 2328 sq. in. (15 019 cm ²) |
| Ground pressure | 6.1 psi (42.1 kPa) (0.429 kg/cm ²) |
| Length of track on ground | 72.75 in. (1.85 m) |
| Track gauge | 52 in. (1.32 m) |
| Carrier roller | 1 |
| Adjustment | Hydraulic |
| Clearance at rear crossbar | 14.25 in. (362 mm) |

Blade: Reinforced, box-welded

| | |
|----------------|----------------------------------|
| Cutting edge | 3-piece, reversible, replaceable |
| Center section | 0.625 in. (15.8 mm) |
| End bits | 0.75 in. (19 mm) |

Capacities:

| | U.S. | Imp. | Liters |
|-------------------------------------|------------|-----------|--------|
| Cooling system | 4 gal. | 3.3 gal. | 15.1 |
| Fuel tank | 31 gal. | 25.8 gal. | 117.3 |
| Crankcase, including filter | 9 qt. | 7.5 qt. | 8.5 |
| Transmission | 8 gal. | 6.7 gal. | 30.3 |
| Final drive (each) | 6.25 qt. | 5.2 qt. | 5.9 |
| Hydraulic reservoir | 6.4 gal. | 5.3 gal. | 24.5 |
| Hydraulic system | 12.25 gal. | 10.2 gal. | 46.4 |
| Steering clutch housing (each side) | 28 qt. | 23.3 qt. | 26.5 |

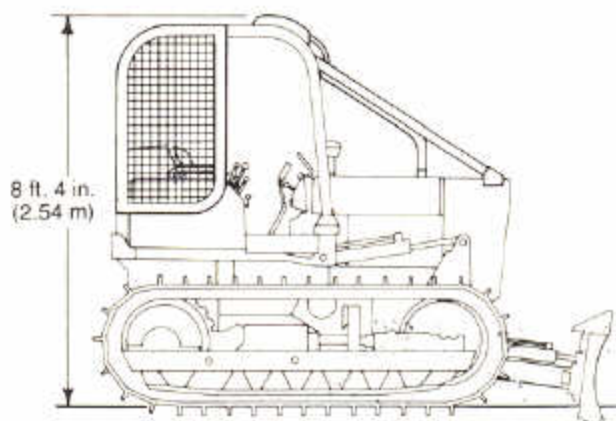
Additional Standard Equipment:

- Front/rear bottom guard
- Front hitch
- Lights
- Trash-resistant radiator
- Transistorized voltage regulator
- Deluxe cushion seat w/armrests
- Key switch w/push-button safety start
- Electric hourmeter
- Cigaret lighter
- Vandal protection
- Outer sprocket shields
- Tachometer
- Ether starting aid
- Horn
- Engine side shields
- Master electrical disconnect switch
- ROPS w/canopy and seat belt

SAE Operating Weight w/ROPS 14,230 lb. (6455 kg)

Special Equipment:

- PTO (1000 rpm)
- Upper and lower front idler shields
- Two batteries
- 16-in. (406 mm) open-center grouser shoes
- 13-in. (330 mm) rubber shoes
- Auxiliary 2-spool control valve
- Swinging drawbar
- Remote hydraulic cylinder
- Cab (includes ROPS)
- Winch drive
- Cast steel end bits
- Limb risers and overhead exhaust
- Brush screens



Limb risers and brush-protection assembly for roll-over protective structure