



400G CRAWLER TRACTOR WITH POWER ANGLE AND TILT DOZER

FEATURES

60 SAE net hp (45 kW)

11,400 to 12,935 lb. (5170 to 5870) operating weight with typical options and special equipment

T-bar controls all dozer functions

Hydraulic track adjustment

Self-adjusting, oil-cooled steering clutches and brakes

Walk-through compartment

Hydraulic direction reverser

Vandal protection

Roll-over protective structure (ROPS)

ADD VERSATILITY WITH:

Winch

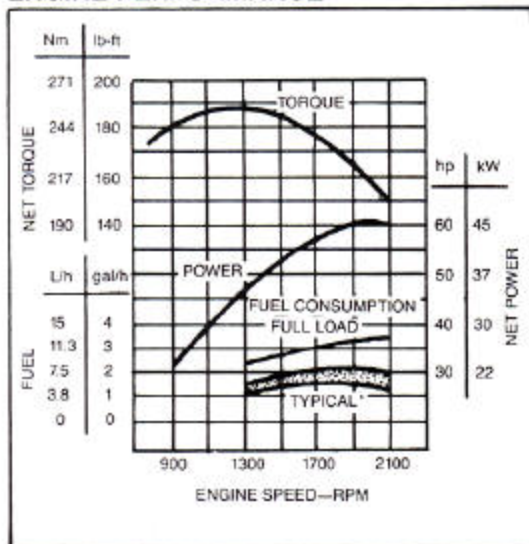
Fairlead and drawbar

Integral log arch

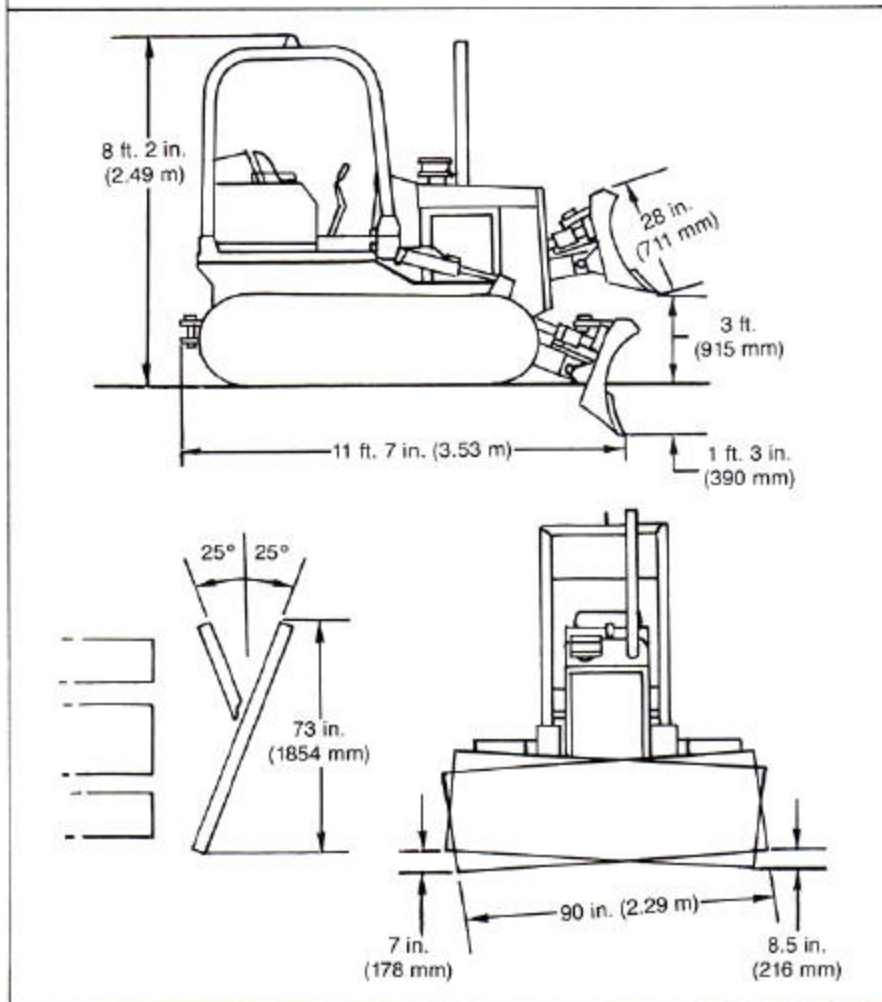
Ripper



ENGINE PERFORMANCE



* Depending on operating variables



400G DOZER SPECIFICATIONS

Specifications and design are subject to change without notice. Wherever applicable, specifications are in accordance with SAE Standards. Except where otherwise noted, these specifications are based on a unit with roll-over protective structure, full fuel tank, 175-lb. (80 kg) operator and standard equipment.

Rated Power @ 2100 rpm:	SAE	DIN 6270B
Net	60 hp (45 kW)	45 kW
Gross	63 hp (47 kW)	

Net engine power is with standard equipment including air cleaner, exhaust system, alternator, and cooling fan, at standard conditions per SAE J1349 and DIN 6270B, using No. 2-D fuel @ 35 API gravity. Gross power is without cooling fan. No derating is required up to 5000 feet (1600 m) altitude.

Engine: John Deere 4-239D

Type	4-stroke cycle, naturally aspirated diesel
Bore and stroke	4.19 x 4.33 in. (106.5 x 110 mm)
No. of cylinders	4
Displacement	239 cu. in. (3.917 L)
Maximum net torque @ 1300 rpm	188 lb-ft (255 Nm) (26.0 kg-m)
Torque rise	25 percent
Cooling fan	Blower
Compression ratio	17.8 to 1
Main bearings	5
Lubrication	Pressure system w/full flow filter
Dual-stage aspirated air cleaner w/restriction indicator	Dry
Electrical system	12 volt w/alternator
Battery (12 volt)	Reserve capacity: 180 minutes

Transmission Hi-Lo-Reverse

Travel Speeds:

Gear	mph	km/h	Gear	mph	km/h
1st	Low	1.2	3rd	Low	2.8
	High	1.7		High	4.0
	Reverse	1.6		Reverse	3.8
2nd	Low	1.9	4th	Low	4.4
	High	2.6		High	6.2
	Reverse	2.5		Reverse	5.9

DRAWBAR PULL (with adequate weight and traction) @ Maximum Engine Torque

Gear:	lb.	(kN)	(kg)
Range 1			
L	12,900	57.3	5840
H	11,500	51.5	5250
Range 2			
L	10,300	45.9	4680
H	8,200	36.7	3742
Range 3			
L	7,600	34.2	3487
H	5,000	22.3	2273
Range 4			
L	4,600	20.6	2100
H	3,000	13.3	1356

Steering:

Steering clutches and brakes are controlled by a single lever for each track. A pedal provides braking, and lockdown for parking. Clutches Oil-cooled, hydraulically actuated, multiple-disk; 9-in. (228 mm) disks; 16 friction surfaces per clutch. Brakes Self-adjusting, self-energizing, oil-cooled contracting band with bonded lining.

Optional or Special Equipment:

Auxiliary control valve
Brush screens
Ether starting aid
Final drive guard
Limb risers and overhead exhaust
Remote cylinder and lines
Spark-arresting muffler
Swinging drawbar
Two batteries
Winch drive

Hydraulic System:

Control	Single T-bar, triple hydraulic system
Pump	Gear, 15 gpm (57 L/min)
Pressure	2250 psi (15 514 kPa) (158.2 kg/cm ²)

Hydraulic Cylinders:

	Bore	Stroke
Lift, two	3.15 in. (80 mm)	13.27 in. (337 mm)
Angle, two	3.15 in. (80 mm)	13.27 in. (337 mm)
Tilt, one	2.48 in. (63 mm)	7 in. (178 mm)
Cylinder rods	Ground, heat-treated, chrome-plated, polished	
Cylinder pivot pins	Hardened steel (replaceable bushings)	

Tracks (5-roller track frames w/track guards):

Grouser	14 in. (356 mm)
Track shoes, each side	36
Ground contact area	1939 sq. in. (12 510 cm ²)
Ground pressure	5.9 psi (41 kPa) (0.42 cm ²)
Length of track on ground	69.3 in. (1.76 m)
Track gauge, standard	50 in. (1270 mm)
Carrier roller	1
Adjustment	Hydraulic
Clearance at rear drawbar	15.5 in. (394 mm)

Blade: Reinforced, box-welded

Cutting edge	3-piece, reversible, replaceable
Center section	0.5 in. (12.7 mm)
End bits	0.625 in. (15.8 mm)

Capacities:

	U.S.	Liters
Fuel tank	31 gal.	117.3
Cooling system	3.25 gal.	12.3
Crankcase, including filter	8.5 qt.	8.0
Transmission—steering clutch housings and final drives	14 gal.	53
Hydraulic reservoir	6.0 gal.	22.7
Hydraulic system	8.5 gal.	32.7

Additional Standard Equipment:

Adjustable seat w/armrests
Electric hourmeter
Engine side shields
Front hitch
Front/rear bottom guards
Halogen lights
Horn
Key switch w/pushbutton start
Master electrical disconnect switch
Precleaner
ROPS canopy, isolation mounted and seat belt
Transistorized voltage regulator
Vandal protection

SAE Operating Weight w/ROPS 11,400 lb. (5170 kg)

