



case

W11 Loader



55 (41 kW) SAE NET FLYWHEEL HORSEPOWER

Case 207 in³ (3393 cm³) diesel engine

FULL POWERSHIFT TRANSMISSION

Three speeds forward, three reverse

MODULATED TRANSMISSION

On-the-go directional changes without decelerating or braking; keeps engine speed up, hydraulics cycling fast for added productivity

IN-LINE LOADER LINKAGE

Low profile design. All linkage in line with the loader lift arms for good visibility to bucket work area

FRONT MOUNTED OPERATOR'S COMPARTMENT

Visibility, controllability, serviceability, comfort and noise reduction

LONG 92" (2.34 m) WHEELBASE PLUS 40° ARTICULATION

Combines operational stability and balance with short turning radius

CENTER-PIVOT STEER

Allows rear and front tires to track at all times

INTEGRATED HYDRAULICS

Provides power on demand for loader-steering-braking; more efficient use of hp available

Unit shown is equipped with non-standard items.

JI Case

A Tenneco Company



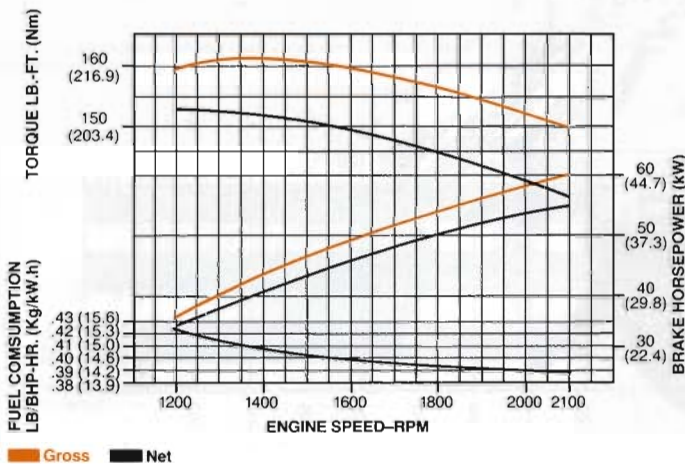
Construction Equipment Division
700 State Street Racine, WI 53404 U.S.A.

LOADER SPECIFICATIONS

ENGINE

Make and model	Case G207D
Fuel	diesel
Maximum rated horsepower	
(1) Gross	60 @ 2100 rpm (44.7 kW @ 2100 r/min)
(2) SAE net	55 @ 2100 rpm (41 kW @ 2100 r/min)
Torque, maximum, lbs-ft.	
Gross	161 ft-lbs @ 1300 rpm (218.3 Nm @ 1300 r/min)
Net	153 ft-lbs @ 1300 rpm (207.4 Nm @ 1300 r/min)
Cylinders, number (valve in head)	4
Bore and stroke	4.0" x 4.125" (102 mm x 105 mm)
Displacement	207 in ³ (3393 cm ³)
Air cleaner (with service indicator)	Single element, dry type
Oil filter	full-flow type
(1) Manufacturer's rating of maximum engine horsepower at flywheel per SAE J270.	
(2) SAE net flywheel horsepower of engine as applied to this vehicle when equipped with operating accessories per SAE J270.	

POWER CURVE



ELECTRICAL SYSTEM

Voltage	12 volt
Standard alternator	42 amp
Batteries	(1) 12 volt
System protected by circuit breakers.	

TRAVEL SPEEDS*

	1st		2nd		3rd	
	mph	km/h	mph	km/h	mph	km/h
Forward	4.0	6.4	10.5	16.8	22.7	36.3
Reverse	4.0	6.4	10.5	16.8	22.7	36.3

*With either 15.00 x 19.5 or 9.00 x 20 tires

TRANSMISSION

Three speeds forward, three speeds reverse, powershift. Dual lever control.

TORQUE CONVERTER

Single stage integral with transmission. 3.05 to 1 stall ratio.

AXLES (front and rear)

Front axle fixed. Rear axle oscillates up or down 12°, 24° total oscillation. One wheel can drop 11.5" (292 mm) with all wheels remaining on the ground for maximum traction. Axle shafts may be removed without disturbing the wheels.

DIFFERENTIALS

Torque proportioning differentials, front and rear for maximum traction.

BRAKES

Hydraulic, power assisted, internal-expanding, mounted on the front wheels. Mechanical parking brake on transmission output shaft. Warning buzzer indicates when parking brake engaged. Optional four-wheel brakes available.

STEERING

Center pivot articulated design with hydrostatic power steering. Front and rear wheels always track.

Steering angle—each direction from center 40°
Steering cylinder 3" dia x 12.17" stroke
(76 mm dia x 309 mm stroke)

Turning circle, outside tires 27'3" (8.31 m)

LOADER HYDRAULIC SYSTEM

Cylinders: Double-acting with hardened, chrome-plated rods to increase strength and resist corrosion.

Lift (2)	3.5" dia x 28.5" stroke (89 mm dia x 724 mm stroke)
Bucket (2)	2.5" dia x 33.56" stroke (63.5 mm dia x 852 mm stroke)

Pump: Dual tandem, gear-type, engine driven, transmission mounted.

Capacities:

Total pumps	26 gpm @ 2100 rpm @ 2500 psi (98.4 lit/min @ 2100 r/min @ 176 kg/cm ²)
Primary pump	15 gpm @ 2100 rpm @ 2500 psi (56.8 lit/min @ 2100 r/min @ 176 kg/cm ²)
Secondary pump	11 gpm @ 2100 rpm @ 2500 psi (41.6 lit/min @ 2100 r/min @ 176 kg/cm ²)

Control valve: Open-center, series parallel circuit.

Hydraulic lines: Steel tubing with steel fittings and wire-braid, high-pressure hose with swaged fittings.

Reservoir: Filtered vacuum, pressurized, with relief valve. Full time micron filter for clean oil to all components of the hydraulic system.

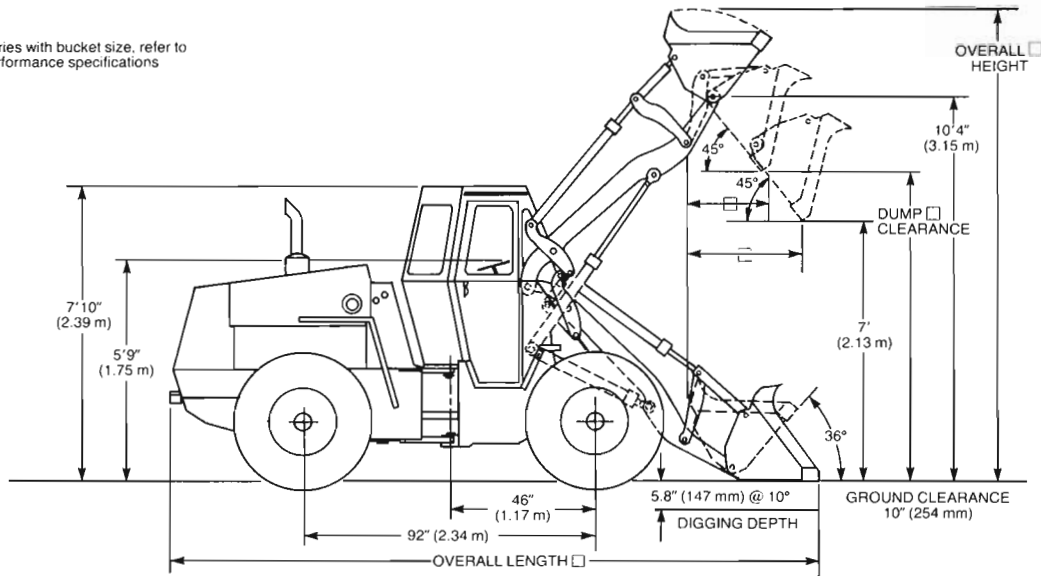
Hydraulic cycle time:

Rated load in bucket	Seconds
Raise	5.2
Lower	5.3
Dump	1.9
Total	12.4

SERVICE CAPACITIES

	U.S. Gals	Litres
Fuel tank	28.0	106
Hydraulic system (tank only)	10.0	37.6
Hydraulic system (total)	14.0	53
Transmission and torque converter	14.0 qt	13.25
Transmission refill capacity	13.0 qt	12.30
Engine crankcase w/filter	7.0 qt	6.62
Differentials, each	9.0 qt	8.5
Cooling system	4.0	15.14

☐ Varies with bucket size, refer to performance specifications



PERFORMANCE SPECIFICATIONS — Loader ratings are governed by SAE J732C and J742B

BUCKET TYPE - Capacity	GENERAL PURPOSE		4-in-1*
SAE Rated (nominally heaped)	.75 yd ³ (.57 m ³)	1.0 yd ³ (.76 m ³)	1.0 yd ³ (.76 m ³)
Struck	.61 yd ³ (.47 m ³)	.81 yd ³ (.62 m ³)	.81 yd ³ (.62 m ³)
Cutting edge width	71.5" (1.82 m)	81.5" (2.07 m)	82" (2.08 m)
Weight	536 lbs (243 kg)	668 lbs (303 kg)	1145 lbs (519 kg)
Dump Clearance @ 45° Dump — Full Height	8'8" (2.64 m)	8'6" (2.59 m)	8'6" (2.59 m)
Bucket Reach @ Full Height & 45° Dump	2'11" (.89 m)	3'1" (.94 m)	3'4" (1.02 m)
Bucket Reach @ 7' (2.13 m) Clearance & 45° Dump	4'3" (1.26 m)	4'4" (1.32 m)	4'8" (1.42 m)
Loader Clearance Circle — Bucket in Carry Position	29'1" (8.87 m)	29'5" (8.97 m)	30'6" (9.30 m)
Overall Length	16'9" (5.11 m)	17'0" (5.18 m)	17'2" (5.23 m)
Overall Height	13'0" (3.96 m)	13'3" (4.04 m)	14'11" (4.55 m)
SAE Breakout Force, lbs	10,900 (4944 kg)	10,200 (4627 kg)	8,668 (3932 kg)
SAE Tipping Load, Straight, lbs**	7,802 (3539 kg)	8,747 (3968 kg)	8,479 (3846 kg)
35° Turn	6,830 (3098 kg)	7,680 (3484 kg)	7,446 (3377 kg)
40° Turn	6,603 (2995 kg)	7,523 (3412 kg)	7,346 (3332 kg)
Operating Load, lbs**	3,302 (1498 kg)	3,762 (1706 kg)	3,673 (1666 kg)
Rated Load, lbs (kg)***	3,200 (1452 kg)	3,200 (1452 kg)	3,200 (1452 kg)
Hydraulic Lifting Capacity @ Full Height	8,132 (3689 kg)	8,000 (3629 kg)	7,150 (3243 kg)
SAE Operating Weight, lbs**	11,505 (5219 kg)	12,263 (5563 kg)	12,740 (5779 kg)

** For select items, add to or deduct from the machine operating weight and tipping loads as given in the chart below. All dimensions and specifications based upon unit with 9.00 x 20, tires .75 yd³ (.57 m³) bucket with 364 lbs (165 kg) CaCl₂ solution in rear tires or 15.00 x 19.5 tires 1.0 yd³ (.76 m³) bucket with 1000 lbs (454 kg) CaCl₂ solution in rear tires. ROPS cab, fenders, counterweight, fully serviced, and with 175 lb (79.4 kg) operator.

*** Continuous loads exceeding specified rated load can affect service life of machine.

Selected Items

Operating Weight Adjustments

Tipping Load Adjustments

	Operating Weight Adjustments		Straight		35° Turn		40° Turn	
	lbs	kg	lbs	kg	lbs	kg	lbs	kg
W/ROPS Canopy	-293	-133	-140	-64	-140	-64	-140	-64
Without Fenders	-134	-61	-112	-51	-105	-48	-103	-47
Without Counterweight	-954	-433	-1595	-724	-1336	-607	-1250	-568
For .75 yd ³ (.57 m ³) Tractor								
9.00 x 20, N.D., 8 PR	-364	-165	-485	-220	-440	-200	-430	-195
9.00 x 20, N.D., 8 PR W/75% CaCl ₂	0	0	0	0	0	0	0	0
For 1.0 yd ³ (.76 m ³) Tractor								
15.00 x 19.5, L2, 8 PR	-1000	-454	-1330	-603	-1210	-549	-1180	-535
15.00 x 19.5, L2, 8 PR W/75% CaCl ₂	0	0	0	0	0	0	0	0

OPERATING DIMENSIONS

Tire Options

	9.00 x 20 Non-Directional	15.00 x 19.5 Loader L-2
Tread	57" (1.45 m)	60" (1.53 m)
Width over tires	68" (1.73 m)	76" (1.93 m)
Change in vertical and horizontal dimensions	None	None

EQUIPMENT ATTACHMENTS

4-IN-1 BUCKET SPECIFICATIONS

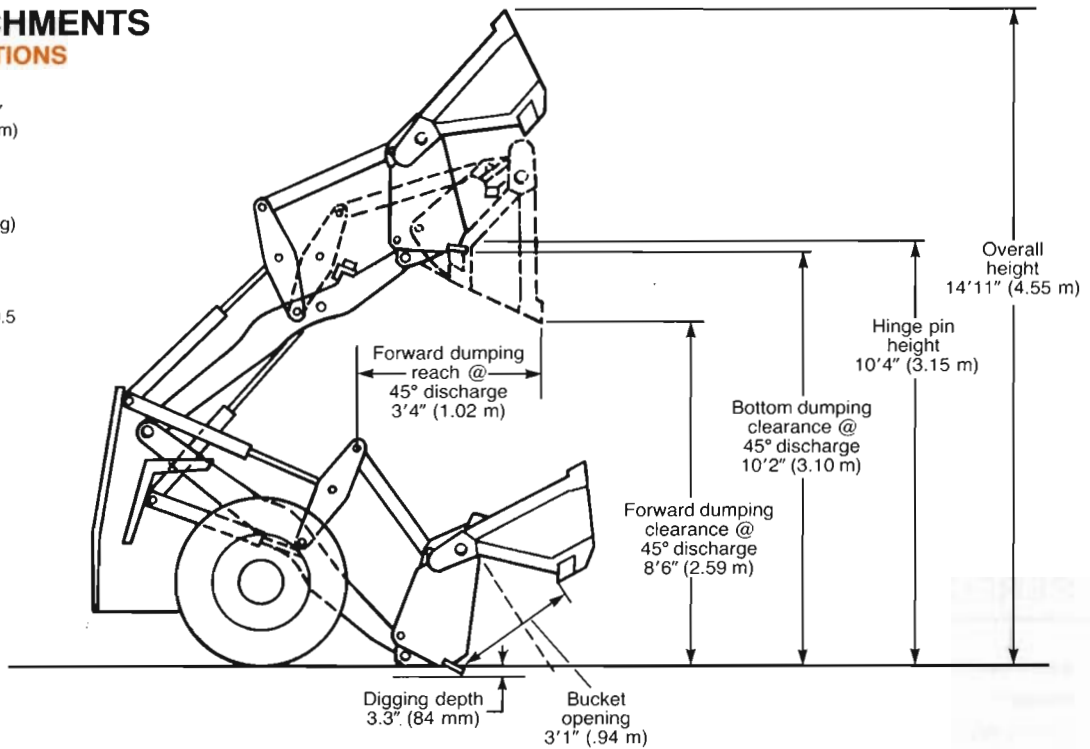
Reach @ 45° dump angle, 7'0"
(2.13 m) clearance, 4'8" (1.42 m)

Tilt back @ ground level, 38°

Closure force, clamp to
cutting edge, 8,130 lbs (3688 kg)

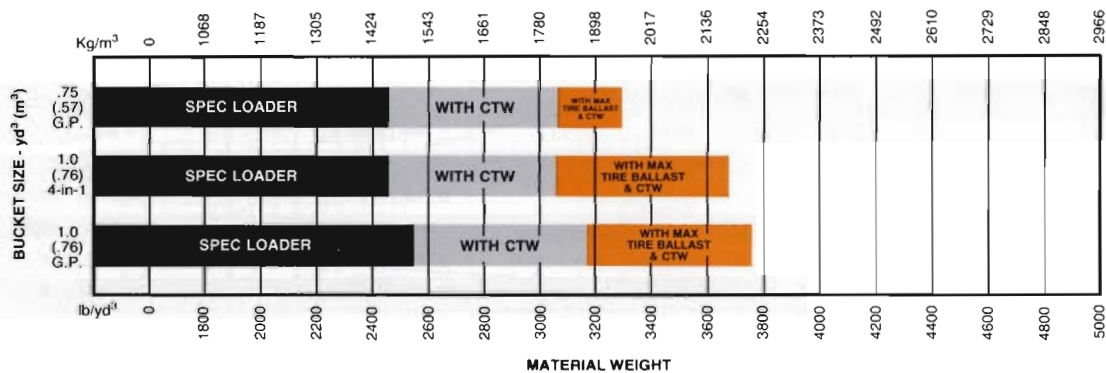
Weight, 1145 lbs (519 kg)

NOTE: SAE code adhered to, 15.00 x 19.5
L2, 8PR tires used.



W11 BUCKET SELECTION CHART

Spec Loader includes all standard equipment, 9.00x20 tires (.75 yd³/.57m³ bucket) or 15.00 x 19.5 tires (1.0 yd³/.76m³ bucket), ROPS cab, fenders, 175 lb (79 kg) operator, and fully serviced.



MATERIAL	lb yd ³	kg m ³
Sand, wet	3500	2075
Sand & Gravel, wet	3375	2000
Gravel, wet, 1" x 2"	3375	2000
Sand, slightly damp	3240	1920
Gravel, pit run (graveled sand)	3240	1920
Clay & gravel, wet	3085	1830
Slag, broken	2970	1760
Trap rock, broken	2950	1750
Sand & gravel, dry	2916	1730
Earth, soft loose mud	2916	1730
Gravel, dry, 1" x 2"	2835	1680
Granite, broken or crushed	2778	1645
Stone, crushed	2700	1600
Sand, dry loose	2700	1600
Gypsum, crushed	2700	1600
Gravel, sand & clay, loose	2700	1600
Earth, wet excavated	2700	1600
Clay & gravel, dry	2700	1600
Clay, wet lumps	2700	1600
Limestone, broken or crushed	2625	1555
Gravel, loose dry	2565	1520
Sandstone, broken	2550	1510
Earth, moist excavated	2430	1440
Earth, loam, dry excavated	2100	1245
Coal, anthracite, broken	1857	1100
Clay, dry excavated	1847	1095
Clay, dry lumps	1822	1080
Coal, bituminous, broken	1413	840
Garbage, wet	1350	801
Ashes	1100	653
Silage	865	513
Snow, wet	400	237
Snow, dry	150	89

Bucket recommendations shown above are based on normal materials and average operating conditions. When selecting the proper bucket for a specific application other factors, such as loadability, material characteristics, terrain and other pertinent job conditions must also be considered.

STANDARD EQUIPMENT

ROPS canopy with seat belt. Alternator with voltage regulator. Battery. 12 volt start. Front and rear flood lights. Tail light and stop light. Pusher fan. Single element, dry-type air cleaner. Electric horn. Powershift transmission. Hydraulic power assisted brakes. Parking brake. Hydrostatic power steering. Alternator warning light, engine oil pressure warning light, engine water temperature gauge, converter oil temperature gauge, clutch pressure warning light, fuel gauge, parking brake warning buzzer and tachometer. Drawbar.

OPTIONAL EQUIPMENT

ROPS cab with air pressurization and sound suppression with seat belt and defogger. Buckets. Engine side panels. Fenders. Heater (36,000 BTU/hr.) Cold weather starting equipment. Lockup kit. Turn signals. Additional driving lights. Automatic adjustable bucket height kickout. Automatic return-to-dig mechanism. Suspension seat. Spark arresting muffler. Back-up alarm. Auxiliary steering. High intensity strobe. Cylinder guards. Four wheel brakes. Precleaner. Windshield wipers, rear.

Form No. UD96082

NOTE: All specifications are stated in accordance with ICED Definitions or SAE Standards or Recommended Practices, where applicable.

IMPORTANT

J I Case Company reserves the right to change these specifications without notice and without incurring any obligation relating to such change.

Sold and Serviced by: