

# 9030B Excavator



## ENGINE

Model..... Case 6T-590  
Type ..... 4-stroke, turbocharged  
Cylinders..... 6  
Bore/Stroke ..... 4.02" x 4.72"  
(102 x 120 mm)  
Displacement ..... 359 in<sup>3</sup> (5.9 L)  
Fuel injection..... Direct  
Fuel..... Diesel  
Fuel filter..... In-line strainer  
Air intake ..... Cross-flow  
Cooling ..... Liquid  
Horsepower per SAE J1349  
Net .... 131 hp (98 kW) @ 2000 rpm  
Maximum torque @ 1500 rpm  
Net ..... 425 lb-ft (576 N·m)

## BOOM/ARM

### Boom

Length..... 18'8" (5.7 m)  
Boom w/arm cylinder  
& plumbing ..... 3,722 lb (1688 kg)  
Hoist cylinders (2) .... 394 lb (179 kg) ea  
Total weight..... 4,510 lb (2046 kg)

### 9'10" Arm (3.0 m)

Length..... 9'10" (3.0 m)  
Bare arm..... 1,320 lb (599 kg)  
Bucket cylinder linkage  
& plumbing ..... 780 lb (354 kg)  
Total arm weight .... 2,100 lb (953 kg)

### 7'10" Arm (2.39 m)

Length..... 7'10" (2.39 m)  
Bare arm..... 1,160 lb (526 kg)  
Bucket cylinder linkage  
& plumbing ..... 780 lb (354 kg)  
Total arm weight.. 1,940 lb (880 kg)

## UNDERCARRIAGE

Number of top rollers  
Top, each track..... 2  
Bottom, each track..... 8  
Number of shoes  
Triple grouser – each track ..... 49  
Link pitch ..... 7.48" (190 mm)

## HYDRAULICS

Pumps (2)..... Variable displacement  
axial-piston design  
Capacity –  
Maximum..... 2 x 51.2 gpm  
(194 L/min)  
Minimum ..... 16 gpm  
(2 x 61 L/min)  
System relief pressure –  
Standard..... 4554 psi (31 400 kPa)  
Power Boost.. 4975 psi (34 300 k Pa)  
Control valves –  
4-spool section for left track travel,  
boom #1, bucket #1 & #2, arm #2  
5-spool section for right track  
travel, boom #2, auxiliary, swing  
and arm #1  
Boom and arm holding valves

Pilot control hydraulic system –  
Pump (1)..... Gear design  
Maximum capacity ..... 5.3 gpm  
(20.1 L/min)  
Relief pressure .. 566 psi (3900 kPa)

Swing –  
Motor (1) ..... Fixed displacement  
axial-piston design  
Speed ..... 0-11.9 rpm  
Brake..... Spring-applied  
hydraulically released  
with dual cushion relief  
Tail swing radius ..... 9'2" (2.8 m)

Travel –  
Motor (2) ..... Three-speed  
axial-piston design  
Final drive..... Planetary gear  
reduction  
Drawbar pull.... 41,140 lb (183 kN)

Travel Speeds –  
Forward/Reverse  
Low ..... 1.4 mph (2.3 km/h)  
Medium..... 2.1 mph (3.3 km/h)  
High..... 3.4 mph (5.5 km/h)

Travel control valve –  
Dual stage relief and counter-  
balance design

## HYDRAULIC CYLINDERS

Boom cylinders (2) –  
Bore diameter..... 4.9" (125 mm)  
Rod diameter ..... 3.3" (85 mm)  
Stroke ..... 49.6" (1.26 m)  
Arm cylinder (1) –  
Bore diameter..... 5.3" (135 mm)  
Rod diameter ..... 3.9" (100 mm)  
Stroke ..... 62.2" (1.58 m)  
Bucket cylinder (1) –  
Bore diameter..... 4.7" (120 mm)  
Rod diameter ..... 3.1" (80 mm)  
Stroke ..... 39.8" (1.01 m)

## ELECTRICAL

Voltage ..... 24 volts,  
negative ground  
Alternator..... 45 amp  
Batteries (2) ..... Low-maintenance  
140 Ah (20 hr rate)

## SERVICE CAPACITIES

Hydraulic tank  
Refill capacity..... 32 gal (120 L)  
Total system ..... 53 gal (200 L)  
Final drive (per side) ..... 5 qt (4.7 L)  
Swing drive..... 5.3 qt (5 L)  
Engine  
w/filter change..... 15.1 qt (16 L)  
Fuel..... 82 gal (310 L)  
Radiator ..... 26.9 qt (25.5 L)

## OPERATING WEIGHT

With 9'10" (3.0 m) arm, 32"  
(813 mm) track shoes, 1,350 lb  
(612 kg) bucket, 175 lb (79 kg)  
operator, full fuel and standard  
equipment ..... 44,540 lb (20 203 kg)

# STANDARD EQUIPMENT

## OPERATOR'S COMPARTMENT

Cab with Isomount® system  
 Adjustable deluxe seat with  
 3" (76 mm) retractable seat belt  
 Oscillating fan  
 Vandal cover  
 Front window safety glass  
 Heater: 13,500 BTU  
 AM/FM Radio  
 Roof hatch, skylight  
 Sliding Lexan™ windows  
 Windshield wiper w/washer

## ENGINE

Case 6T-590 turbocharged diesel  
 Federal emission certified  
 Ether cold start  
 Warm up mode  
 Selectable one touch or auto  
 accelerator/decelerator

## ELECTRICAL

Batteries (2)  
 Electronic Systems Monitor

## HYDRAULICS

ISO pattern pilot controls  
 4 Position mode selector:  
 H, S, L & F  
 Power boost  
 2 Variable flow piston pumps  
 Auxiliary attachment mode  
 Auto pump destroke  
 Auxiliary hydraulic valve  
 Arm and boom holding valve  
 Selectable cushion control  
 for boom and arm  
 Controlled free swing  
 Ultra clean filtration system

## UNDERCARRIAGE

Shoes: 32" (813 mm) 3-bar,  
 49 per side  
 Track length: 14'8" (4.47 m)  
 Track gauge: 7'10" (2.39 m)

## TRACK DRIVE

3 speed hydrostatic travel  
 Disc type parking brakes

## UPPERSTRUCTURE

Boom: 18'6" (5.64 m) one piece  
 Free swing control  
 Hammer adaptable, no reinforcing  
 required  
 Swing brake

## OTHER

Counterweight: 8,155 lb (3699 kg)  
 Single key vandal lockup

# OPTIONAL EQUIPMENT

## OPERATOR'S COMPARTMENT

Air conditioner

## UPPERSTRUCTURE

Arm: 9'10" or 7'10"  
 (3.0 m or 2.39 m)

## HYDRAULICS

Auxiliary hydraulics  
 Single acting, one pump  
 Double acting, single or dual pump  
 (includes heavy duty bucket  
 linkage)  
 Double acting general purpose  
 for use with thumb kit

## OTHER

Load holding control devices  
 Cylinder mounted  
 Case/JRB Slide-Loc® Coupler  
 Hydraulic or mechanical

## BUCKETS

Application	Width	SAE Heaped Capacity
General purpose.....	24" thru 48" (0.61 m thru 1.22 m).....	0.59 yd <sup>3</sup> thru 1.30 yd <sup>3</sup> (0.45 m <sup>3</sup> thru 0.99 m <sup>3</sup> )
General purpose high-capacity .....	24" thru 42" (0.61 m thru 1.07 m).....	0.73 yd <sup>3</sup> thru 1.38 yd <sup>3</sup> (0.56 m <sup>3</sup> thru 1.06 m <sup>3</sup> )
Heavy-duty.....	24" thru 48" (0.61 m thru 1.22 m).....	0.59 yd <sup>3</sup> thru 1.30 yd <sup>3</sup> (0.45 m <sup>3</sup> thru 0.99 m <sup>3</sup> )
Heavy-duty high-capacity.....	24" thru 42" (0.61 m thru 1.07 m).....	0.73 yd <sup>3</sup> thru 1.38 yd <sup>3</sup> (0.56 m <sup>3</sup> thru 1.06 m <sup>3</sup> )
Severe-duty.....	24" thru 36" (0.61 m thru 0.91 m).....	0.59 yd <sup>3</sup> thru 0.95 yd <sup>3</sup> (0.45 m <sup>3</sup> thru 0.73 m <sup>3</sup> )
Ditch.....	60" or 72" (1.52 m or 1.83 m).....	0.90 yd <sup>3</sup> or 1.06 yd <sup>3</sup> (0.69 m <sup>3</sup> or 0.81 m <sup>3</sup> )

# LIFT CAPACITIES

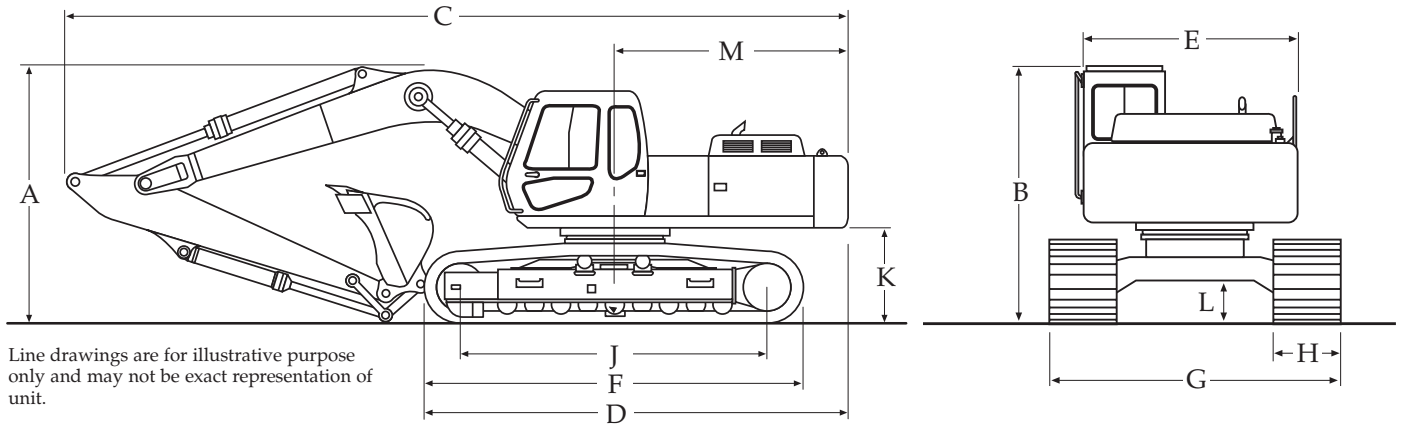
**9'10" (3.0 m) Arm** Lift capacities calculated using a 1,380 lb (626 kg) bucket, 8,155 lb (3699 kg) counterweight operating in "Fine" Mode

Load (Lift Point) Height	10' (3.05 m)		15' (4.57 m)		20' (6.1 m)		25' (7.62 m)		MAXIMUM REACH		
	END	SIDE	END	SIDE	END	SIDE	END	SIDE	@	END	SIDE
+20' (6.1 m)									28'8" (8.74 m)	4,000 lb* (1814 kg)	4,000 lb* (1814 kg)
+15' (4.57 m)					10,500 lb* (4763 kg)	9,850 lb (4468 kg)	9,100 lb* (4128 kg)	6,650 lb (3016 kg)	30'7" (9.32 m)	4,000 lb* (1814 kg)	4,000 lb* (1814 kg)
+10' (3.05 m)	22,350 lb* (10 138 kg)	22,350 lb* (10 138 kg)	15,150 lb* (6872 kg)	14,850 lb (6736 kg)	12,400 lb* (5625 kg)	9,350 lb (4241 kg)	10,150 lb (4604 kg)	6,400 lb (2903 kg)	31'6" (9.60 m)	4,100 lb* (1860 kg)	4,100 lb* (1860 kg)
+5' (1.52 m)	21,150 lb* (9593 kg)	21,150 lb* (9593 kg)	19,750 lb* (8958 kg)	13,650 lb (6192 kg)	14,150 lb (6418 kg)	8,750 lb (3969 kg)	9,850 lb (4468 kg)	6,100 lb (2767 kg)	31'6" (9.60 m)	4,400 lb* (1996 kg)	4,050 lb (1837 kg)
Ground- line	18,200 lb* (8255 kg)	18,200 lb* (8255 kg)	22,000 lb (9979 kg)	12,800 lb (5806 kg)	13,650 lb (6192 kg)	8,300 lb (3765 kg)	9,550 lb (4331 kg)	5,850 lb (2654 kg)	30'7" (9.32 m)	4,900 lb* (2223 kg)	4,200 lb (1905 kg)
-5' (-1.52 m)	23,500 lb* (10 659 kg)	23,500 lb* (10 659 kg)	21,650 lb (9820 kg)	12,500 lb (5670 kg)	13,350 lb (6055 kg)	8,050 lb (3651 kg)	9,400 lb (4364 kg)	5,700 lb (2585 kg)	28'7" (8.71 m)	5,750 lb* (2608 kg)	4,700 lb (2132 kg)
-10' (-3.05 m)	31,550 lb* (14 311 kg)	25,350 lb (11 499 kg)	21,700 lb (9843 kg)	12,550 lb (5693 kg)	13,300 lb (6033 kg)	8,050 lb (3651 kg)	9,450 lb (4286 kg)	5,750 lb (2608 kg)	25'4" (7.72 m)	7,250 lb* (3289 kg)	5,800 lb (2630 kg)
-15' (-4.57 m)	29,900 lb* (13 562 kg)	25,950 lb (11 771 kg)	20,450 lb* (9276 kg)	12,850 lb (5829 kg)	13,600 lb (6169 kg)	8,250 lb (3742 kg)			19'11" (6.07 m)	8,600 lb* (3901 kg)	8,600 lb* (3901 kg)

**7'10" (2.39 m) Arm** Lift capacities calculated using a 1,475 lb (669 kg) bucket, 8,155 lb (3699 kg) counterweight operating in "Fine" Mode

Load (Lift Point) Height	10' (3.05 m)		15' (4.57 m)		20' (6.1 m)		25' (7.62 m)		MAXIMUM REACH		
	END	SIDE	END	SIDE	END	SIDE	END	SIDE	@	END	SIDE
+20' (6.1 m)					10,700 lb* (4853 kg)	9,900 lb (4491 kg)			26'8" (8.13 m)	6,050 lb* (2744 kg)	5,950 lb (2699 kg)
+15' (4.57 m)					11,700 lb* (5307 kg)	9,650 lb (4377 kg)	9,350 lb* (4241 kg)	6,450 lb (2926 kg)	28'10" (8.79 m)	6,000 lb* (2722 kg)	5,000 lb (2268 kg)
+10' (3.05 m)	26,000 lb* (11 793 kg)	26,000 lb* (11 839 kg)	16,950 lb* (7688 kg)	14,450 lb (6554 kg)	13,500 lb* (6124 kg)	9,150 lb (4150 kg)	10,000 lb (4536 kg)	6,300 lb (2858 kg)	29'9" (9.07 m)	6,150 lb* (2790 kg)	4,600 lb (2087 kg)
+5' (1.52 m)			21,600 lb* (9798 kg)	13,300 lb (6033 kg)	13,950 lb (6328 kg)	8,600 lb (3901 kg)	9,750 lb (4423 kg)	6,050 lb (2744 kg)	29'9" (9.07 m)	6,550 lb* (2971 kg)	4,500 lb (2041 kg)
Ground- line	16,850 lb* (7643 kg)	16,850 lb* (7643 kg)	21,800 lb (9888 kg)	12,650 lb (5738 kg)	13,550 lb (6146 kg)	8,250 lb (3742 kg)	9,550 lb (4332 kg)	5,850 lb (2654 kg)	28'9" (8.76 m)	7,200 lb* (3266 kg)	4,700 lb (2132 kg)
-5' (-1.52 m)	23,850 lb* (10 818 kg)	23,850 lb* (10 818 kg)	21,650 lb (9820 kg)	12,550 lb (5693 kg)	13,550 lb (6146 kg)	8,050 lb (3651 kg)	9,450 lb (4286 kg)	5,750 lb (2608 kg)	26'8" (8.13 m)	8,400 lb* (3810 kg)	5,300 lb (2404 kg)
-10' (-3.05 m)	32,450 lb* (14 719 kg)	25,650 lb (11 635 kg)	21,850 lb (9911 kg)	12,700 lb (5761 kg)	13,450 lb (6101 kg)	8,150 lb (3697 kg)			23'0" (7.01 m)	10,600 lb* (4804 kg)	6,850 lb (3107 kg)
-15' (-4.57 m)	26,500 lb* (12 020 kg)	25,900 lb (11 748 kg)	18,550 lb* (8414 kg)	13,150 lb (5965 kg)							

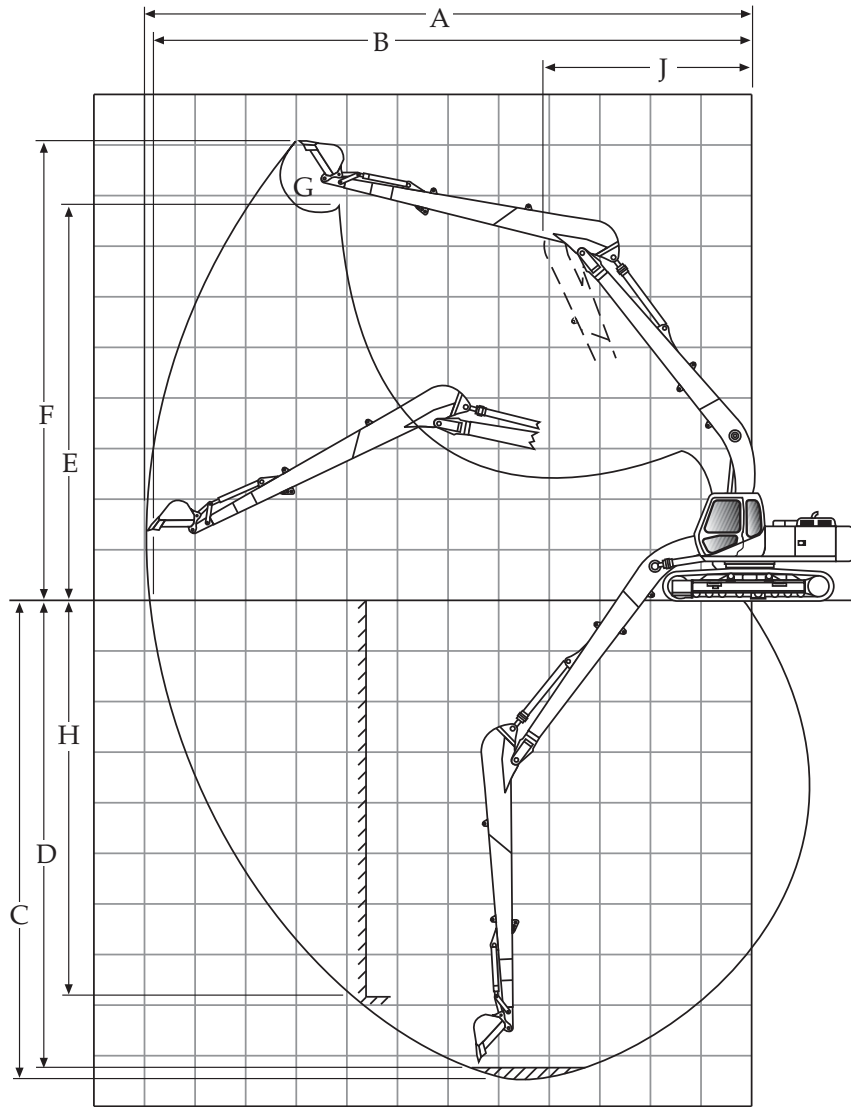
NOTE: \*Lift capacities do not exceed 75% of the minimum tipping load or 87% of the hydraulic lift capacity.  
Capacities that are marked with an asterisk are hydraulic limited.



## DIMENSIONS

	9'10" (3.0 m) Arm	7'10" (2.39 m) Arm
A. Overall height	9'7" (2.93 m)	10'0" (3.06 m)
B. Cab height	9'7" (2.93 m)	9'7" (2.93 m)
C. Overall length	31'0" (9.44 m)	31'4" (9.56 m)
D. w/o attachment	16'5" (5.0 m)	16'5" (5.0 m)
E. Width of upperstructure	8'2" (2.5 m)	8'2" (2.5 m)
F. Track overall length	14'8" (4.47 m)	14'8" (4.47 m)
G. Track overall width w/32" (813 mm) shoes	10'6" (3.2 m)	10'6" (3.2 m)
H. Track shoe width	32" (813 mm)	32" (813 mm)
J. Center to center (idler to sprocket)	12'0" (3.66 m)	12'0" (3.66 m)
K. Upperstructure ground clearance	3'5" (1.04 m)	3'5" (1.04 m)
L. Minimum ground clearance	18" (457 mm)	18" (457 mm)
M. Tail swing radius	9'2" (2.8 m)	9'2" (2.8 m)
Working weight*	44,540 lb (20 203 kg)	44,540 lb (20 203 kg)
Ground pressure	4.5 psi (31 kPa)	4.5 psi (31 kPa)

\*With 32" (813 mm) track shoe, 1,350 lb (612 kg) bucket, 175 lb (79 kg) operator, full fuel and standard equipment.



## PERFORMANCE SPECS

	9'10" (3.0 m) Arm	7'10" (2.39 m) Arm
A. Maximum dig radius	32'8" (9.95 m)	30'11" (9.42 m)
B. Dig radius at groundline	32'1" (9.78 m)	30'4" (9.24 m)
C. Maximum dig depth	21'11" (6.68 m)	20'0" (6.1 m)
D. Dig depth – 8'0" (2.44 m) level bottom	21'5" (6.52 m)	19'4" (5.89 m)
E. Dump height	21'11" (6.68 m)	17'11" (5.46 m)
F. Overall reach height	31'1" (9.47 m)	30'5" (9.26 m)
G. Bucket rotation	183°	183°
H. Vertical straight wall dig depth	19'11" (6.07 m)	17'11" (5.37 m)
J. Minimum swing radius	11'11" (3.64 m)	12'2" (3.71 m)
Arm digging force		
Standard	20,280 lb (90.2 kN)	24,470 lb (108.8 kN)
Power Boost	22,260 lb (99 kN)	26,680 lb (118.7 kN)
Bucket digging force		
Standard	25,580 lb (113.8 kN)	25,580 lb (113.8 kN)
Power Boost	28,000 lb (124.5 kN)	28,000 lb (124.5 kN)

**This page intentionally left blank.**

NOTE: All specifications are stated in accordance with SAE Standards or Recommended Practices, where applicable.

Form No. - CE 230-07-99  
Replaces Form No. - None



IMPORTANT: Case Corporation reserves the right to change these specifications without notice and without incurring any obligation relating to such change. Case Corporation does not warrant the safety or reliability of attachments from other manufacturers.

Visit Case Corporation on the Web at:  
<http://www.casecorp.com>  
Printed in U.S.A.

9030B Page 6 of 6

\*Slide-Loc is a registered trademark of JRB Company, Inc.

\*\*Lexan is a registered trademark of the General Electric Co.

© 1999 CASE CORPORATION. All Rights Reserved.  
CASE is a registered trademark of Case Corporation.

**CASE CORPORATION**  
700 STATE STREET  
RACINE, WI 53404 U.S.A.

**CASE CANADA CORPORATION**  
450 SHERMAN AVENUE NORTH  
HAMILTON, ON L8N 4C4 CANADA