

9010B Excavator



ENGINE

Model.....	Case 4TA-390
Type	4-stroke, turbocharged and aftercooled
Cylinders.....	4
Bore/Stroke	4.02" x 4.72" (102 x 120 mm)
Displacement	239 in ³ (3.9 L)
Fuel injection.....	Direct
Fuel.....	Diesel
Fuel filter.....	In-line strainer
Air intake	Cross-flow
Cooling	Liquid
Horsepower per SAE J1349	
Net	106 hp (79 kW) @ 2200 rpm
Maximum torque @ 1600 rpm	
Net	290 lb-ft (393 N·m)

BOOM/ARM

Boom

Length.....	15'5" (4.7 m)
Boom w/arm cylinder & plumbing	2,202 lb (1001 kg)
Hoist cylinders..	255 lb (116 kg) ea
Total boom.....	2,712 lb (1230 kg)

9'10" Arm (3.0 m)

Length.....	9'10" (3.0 m)
Bare arm.....	924 lb (420 kg)
Bucket cylinder linkage & plumbing	469 lb (213 kg)
Total arm weight..	1,393 lb (633 kg)

8'2" Arm (2.5 m)

Length.....	8'2" (2.5 m)
Bare arm.....	768 lb (349 kg)
Bucket cylinder linkage & plumbing	469 lb (213 kg)
Total arm weight..	1,237 lb (561 kg)

UNDERCARRIAGE

Number of top rollers	
Top, each track.....	2
Bottom, each track.....	6
Number of shoes	
Triple grouser – each track	44
Link pitch	6.75" (171 mm)

HYDRAULICS

Pumps (2).....	Variable displacement axial-piston design
Capacity –	
Maximum.....	2 x 32 gpm (121 L/min)
Minimum	2 x 20 gpm (76 L/min)
System relief pressure –	
Standard	4550 psi (31 400 kPa)
Power Boost.....	4975 psi (34 300 kPa)
Control valves –	
4-spool section for right track travel, auxiliary, swing and arm	
3-spool section for left track travel, boom and bucket	
Boom holding valve	
Pilot control hydraulic system –	
Pump (1).....	Gear design
Maximum capacity	5.3 gpm (20 L/min)
Relief pressure... ..	566 psi (3900 kPa)
Swing –	
Motor (1)	Fixed displacement axial-piston design
Speed	0-13.4 rpm
Brake.....	Spring-applied mechanical disc
Tail swing radius	6'9" (2.05 m)
Travel –	
Motor (2).....	Three-speed axial-piston design
Final drive.....	Planetary gear reduction
Drawbar pull.....	22,260 lb (99 kN)
Travel Speeds –	
Forward/Reverse	
Low	1.4 mph (2.2 km/h)
Medium.....	2.4 mph (3.8 km/h)
High.....	3.4 mph (5.5 km/h)
Travel control valve –	
Dual stage relief and counter- balance design with disc-type brakes	

HYDRAULIC CYLINDERS

Boom cylinders (2) –	
Bore diameter.....	3.9" (100 mm)
Rod diameter	3.0" (75 mm)
Stroke	42.6" (1.08 m)
Arm cylinder (1) –	
Bore diameter.....	4.5" (115 mm)
Rod diameter	3.1" (80 mm)
Stroke	47.4" (1.2 m)
Bucket cylinder (1) –	
Bore diameter.....	3.7" (95 mm)
Rod diameter	2.8" (70 mm)
Stroke	36.4" (924 mm)

ELECTRICAL

Voltage	24 volts, negative ground
Alternator.....	45 amp
Batteries (2)	Low-maintenance 120 Ah (20 hr rate)

SERVICE CAPACITIES

Hydraulic tank	
Refill capacity.....	19.3 gal (73 L)
Total system	32.8 gal (124 L)
Final drive (per side).....	3.2 qt (3 L)
Swing drive.....	2.3 qt (2.2 L)
Engine	
w/filter change.....	11 qt (10.4 L)
Fuel.....	63.4 gal (240 L)
Radiator	16.6 qt (15.7 L)

OPERATING WEIGHT

With 8'2" (2.5 m) arm, 23.6" (600 mm) track shoes, 902 lb (410 kg) bucket, 175 lb (79 kg) operator, full fuel and standard equipment	28,000 lb (12 700 kg)
--	-----------------------

STANDARD EQUIPMENT

OPERATOR'S COMPARTMENT

Cab with Isomount® system
 Adjustable deluxe seat with
 3" (76 mm) retractable seat belt
 Oscillating fan
 Vandal cover
 Front window safety glass
 Heater: 13,500 BTU
 AM/FM Radio
 Roof hatch, skylight
 Sliding Lexan™ windows
 Windshield wiper w/washer

ENGINE

Case 4TA-390 turbocharged diesel
 Federal emission certified
 Ether cold start
 Warm up mode
 Selectable one touch or auto
 accelerator/decelerator

ELECTRICAL

Batteries (2)
 Electronic Systems Monitor

HYDRAULICS

ISO pattern pilot controls
 4 Position mode selector:
 H, S, L & F
 Power boost
 2 Variable flow piston pumps
 Auxiliary attachment mode
 Auto pump destroke
 Auxiliary hydraulic valve
 Boom holding valve
 Selectable cushion control
 for boom and arm
 Controlled free swing
 Ultra clean filtration system

UNDERCARRIAGE

Shoes: 23.6" (600 mm) 3-bar,
 44 per side
 Track length: 11'8" (3.55 m)
 Track gauge: 6'6" (1.98 m)

TRACK DRIVE

3 speed hydrostatic travel
 Disc type parking brakes

UPPERSTRUCTURE

Boom: 15'5" (4.7 m) one piece
 Free swing control
 Hammer adaptable, no reinforcing
 required
 Swing brake

OTHER

Counterweight: 5,578 lb (2535 kg)
 Single key vandal lockup

OPTIONAL EQUIPMENT

OPERATOR'S COMPARTMENT

Air conditioner (includes
 16,700 BTU heater)

UPPERSTRUCTURE

Arm: 9'10" or 8'2"
 (3.0 m or 2.5 m)

HYDRAULICS

Auxiliary hydraulics
 Single acting, one pump
 Double acting, single or dual pump
 (includes heavy duty bucket
 linkage)
 Double acting general purpose
 for use with thumb kit

OTHER

8'6" (2.59 m) wide dozer blade
 Load holding control devices
 Cylinder mounted
 Case/JRB Slide-Loc® Coupler
 Hydraulic or mechanical

BUCKETS

Application

Width

SAE Heaped Capacity

General Purpose	24" thru 42" (0.61 m thru 1.07 m)	0.50 yd ³ thru 0.92 yd ³ (10.38 m ³ thru 0.70 m ³)
Heavy-duty	24" thru 36" (0.61 m thru 0.91 m)	0.50 yd ³ thru 0.78 yd ³ (0.38 m ³ thru 0.60 m ³)
Ditch.....	48" or 60" (.22 m or 1.52 m)	0.67 yd ³ thru 0.90 yd ³ (0.51 m ³ thru 0.69 m ³)

LIFT CAPACITIES

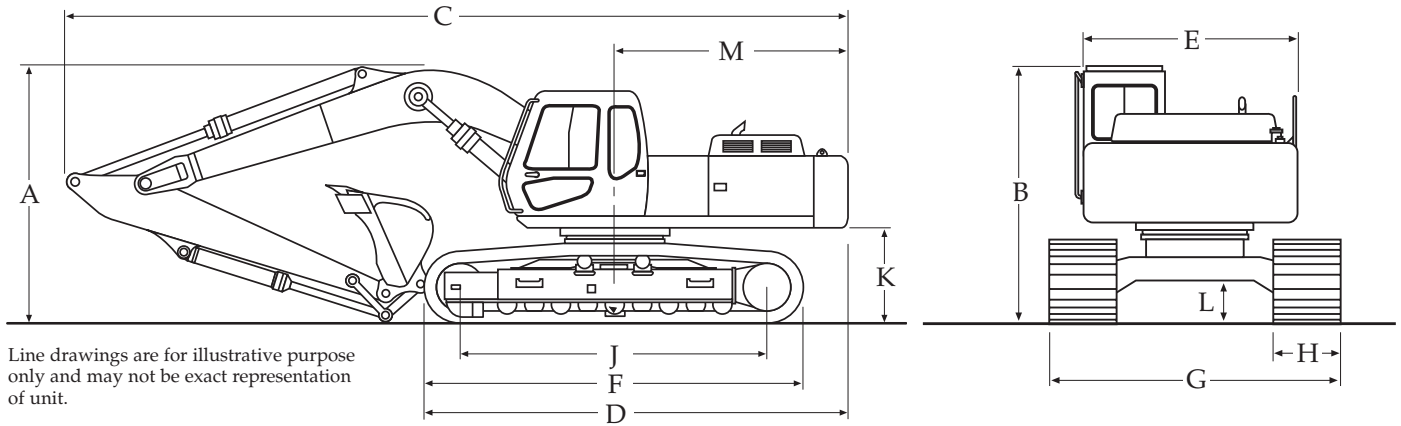
9'10" (3.0 m) Arm Lift capacities are calculated using a 759 lb (345 kg) bucket and 5,578 lb (2535 kg) counterweight in "Fine" Mode

Load (Lift Point) Height	5' (1.52 m)		10' (3.05 m)		15' (4.57 m)		20' (6.1 m)		25' (7.62 m)		MAXIMUM REACH		
	END	SIDE	END	SIDE	END	SIDE	END	SIDE	END	SIDE	@	END	SIDE
+20' (6.1 m)							4,150 lb (1886 kg)	4,150 lb (1886 kg)			23'10" (7.26 m)	3,050 lb* (1383 kg)	3,050 lb* (1383 kg)
+15' (4.57 m)					4,950 lb* (2245 kg)	4,950 lb* (2245 kg)	5,350 lb* (2427 kg)	4,600 lb (2087 kg)			26'5" (8.05 m)	2,900 lb* (1315 kg)	2,700 lb (1225 kg)
+10' (3.05)			7,850 lb* (3561 kg)	7,850 lb* (3561 kg)	6,600 lb* (2994 kg)	6,600 lb (2994 kg)	6,000 lb (2722 kg)	4,400 lb (1996 kg)	4,100 lb (1860 kg)	2,900 lb (1315 kg)	27'9" (8.46 m)	2,900 lb* (1315 kg)	2,400 lb (1089 kg)
+5' (1.52 m)			13,550 lb* (6146 kg)	12,600 lb* (5715 kg)	8,850 lb* (4014 kg)	6,600 lb (2994 kg)	5,850 lb (2654 kg)	4,150 lb (1882 kg)	4,000 lb (1814 kg)	2,800 lb (1270 kg)	28'0" (8.5 m)	3,050 lb* (1383 kg)	2,250 lb (1021 kg)
Ground- line	6,100 lb* (2767 kg)	6,100 lb* (2767 kg)	17,200 lb* (7802 kg)	11,300 lb (5126 kg)	8,800 lb* (3992 kg)	6,100 lb (2767 kg)	5,600 lb (2540 kg)	3,900 lb (1769 kg)	3,900 lb (1769 kg)	2,700 lb (1225 kg)	27'2" (8.28 m)	3,400 lb* (1542 kg)	2,350 lb (1066 kg)
-5' (-1.52 m)	9,900 lb* (4491 kg)	9,900 lb* (4491 kg)	17,100 lb (7756 kg)	11,000 lb (4990 kg)	8,500 lb (3856 kg)	5,800 lb (2631 kg)	5,400 lb (2440 kg)	3,750 lb (1701 kg)			25'3" (7.7 m)	3,800 lb (1724 kg)	2,650 lb (1202 kg)
-10' (-3.05 m)	15,050 lb* (6826 kg)	15,050 lb* (6826 kg)	17,250 lb* (7824 kg)	11,100 lb (5035 kg)	8,450 lb (3833 kg)	5,800 lb (2631 kg)	5,400 lb (2449 kg)	3,750 lb (1701 kg)			21'10" (6.65 m)	4,850 lb (2200 kg)	3,400 lb (1542 kg)
-15' (-4.57 m)	23,950 lb* (10 864 kg)	23,950 lb* (10 864 kg)	15,100 lb* (6849 kg)	11,450 lb (5194 kg)	8,700 lb (3946 kg)	6,000 lb (2722 kg)							

8'2" (2.5 m) Arm Lift capacities are calculated using a 896 lb (407 kg) bucket and 5,578 lb (2535 kg) counterweight in "Fine" Mode

Load (Lift Point) Height	5' (1.52 m)		10' (3.05 m)		15' (4.57 m)		20' (6.1 m)				MAXIMUM REACH		
	END	SIDE	END	SIDE	END	SIDE	END	SIDE			@	END	SIDE
+20' (6.1 m)					5,400 lb* (2440 kg)	5,400 lb* (2440 kg)					22'0" (6.71 m)	3,050 lb* (1383 kg)	3,050 lb* (1383 kg)
+15' (4.57 m)					5,900 lb* (2676 kg)	5,900 lb* (2676 kg)	6,000 lb* (2722 kg)	4,450 lb (2020 kg)			24'10" (7.56 m)	2,900 lb* (1315 kg)	2,900 lb* (1315 kg)
+10' (3.05)	13,450 lb* (6101 kg)	13,450 lb* (6101 kg)	9,800 lb* (4445 kg)	9,800 lb* (4445 kg)	7,500 lb* (3402 kg)	7,000 lb (3175 kg)	6,000 lb (2722 kg)	4,300 lb (1950 kg)			26'3" (8.0 m)	2,900 lb* (1315 kg)	2,600 lb (1179 kg)
+5' (1.52 m)			15,300 lb* (6940 kg)	12,100 lb (5488 kg)	9,200 lb* (4173 kg)	6,450 lb (2925 kg)	5,750 lb (2608 kg)	4,050 lb (1837 kg)			26'6" (8.08 m)	3,050 lb* (1383 kg)	2,450 lb (1111 kg)
Ground- line	5,850 lb* (2654 kg)	5,850 lb* (2654 kg)	17,250 lb* (7824 kg)	11,150 lb (5058 kg)	8,700 lb (3946 kg)	6,000 lb (2722 kg)	5,500 lb (2495 kg)	3,850 lb (1746 kg)			25'8" (7.82 m)	3,400 lb* (1542 kg)	2,550 lb (1157 kg)
-5' (-1.52 m)	10,950 lb* (4967 kg)	10,950 lb* (4967 kg)	17,200 lb (7802 kg)	11,100 lb (5035 kg)	8,500 lb (3856 kg)	5,800 lb (2631 kg)	5,400 lb (2449 kg)	3,750 lb (1701 kg)			23'7" (7.19 m)	4,050 lb* (1837 kg)	2,950 lb (1338 kg)
-10' (-3.05 m)	17,450 lb* (7915 kg)	17,450 lb* (7915 kg)	17,200 lb* (7802 kg)	11,300 lb (5126 kg)	8,500 lb (3856 kg)	5,850 lb (2654 kg)	5,450 lb (2472 kg)	3,800 lb (1724 kg)			19'9" (6.02 m)	5,450 lb* (2472 kg)	4,000 lb (1814 kg)
-15' (-4.57 m)			13,350 lb* (6055 kg)	11,750 lb* (5330 kg)	8,200 lb* (3719 kg)	6,150 lb (2790 kg)							

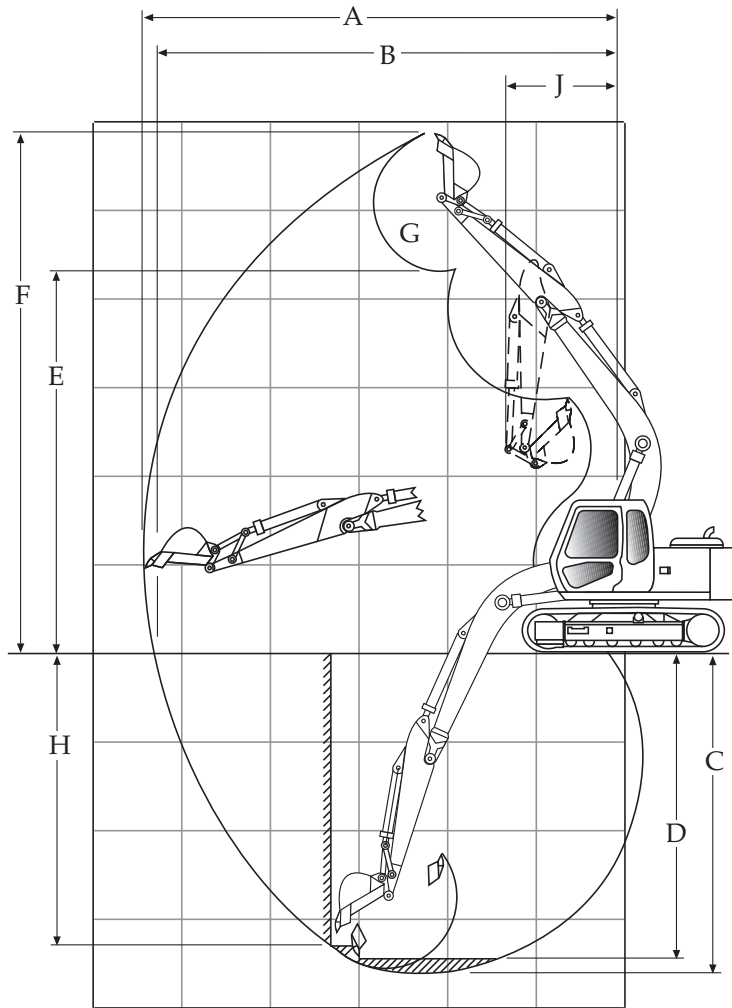
NOTE: *Lift capacities do not exceed 75% of the minimum tipping load or 87% of the hydraulic lift capacity. Capacities that are marked with an asterisk are hydraulic limited.



DIMENSIONS

	9'10" (3.0 m) Arm	8'2" (2.5 m) Arm
A. Overall height	9'1" (2.77 m)	9'1" (2.77 m)
B. Cab height	9'1" (2.77 m)	9'1" (2.77 m)
C. Overall length	25'0" (7.63 m)	24'11" (7.6 m)
D. w/o attachment	12'7" (3.83 m)	12'7" (3.83 m)
E. Width of upperstructure	7'11" (2.41 m)	7'11" (2.41 m)
F. Track overall length	11'8" (3.55 m)	11'8" (3.55 m)
G. Track overall width w/23.6" (600 mm) shoes	8'6" (2.59 m)	8'6" (2.59 m)
H. Track shoe width	23.6" (600 mm)	23.6" (600 mm)
J. Center to center (idler to sprocket)	9'1" (2.78 m)	9'1" (2.78 m)
K. Upperstructure ground clearance	2'11" (0.89 m)	2'11" (0.89 m)
L. Minimum ground clearance	1'5" (440 mm)	1'5" (440 mm)
M. Tail swing radius	6'9" (2.05 m)	6'9" (2.05 m)
Working weight*	28,157 lb (12 772 kg)	28,000 lb (12 700 kg)
Ground pressure	4.9 psi (34 kPa)	4.9 psi (34 kPa)

*With 23.6" (600 mm) track shoe, 902 lb (410 kg) bucket, 175 lb (79 kg) operator, full fuel and standard equipment.



PERFORMANCE SPECS

	9'10" (3.0 m) Arm	8'2" (2.5 m) Arm
A. Maximum dig radius	28'10" (8.79 m)	27'4" (8.34 m)
B. Dig radius at groundline	28'5" (8.66 m)	26'11" (8.2 m)
C. Maximum dig depth	19'10" (6.05 m)	18'3" (5.55 m)
D. Dig depth - 8'0" (2.44 m) level bottom	19'3" (5.87 m)	17'6" (5.34 m)
E. Dump height	23'0" (7.02 m)	22'0" (6.7 m)
F. Overall reach height	30'10" (9.41 m)	29'10" (9.09 m)
G. Bucket rotation	182°	182°
H. Vertical straight wall dig depth	17'10" (5.44 m)	16'4" (4.98 m)
J. Minimum swing radius	7'11" (2.41 m)	6'9" (2.05 m)
Arm digging force		
Standard	12,130 lb (54 kN)	13,450 lb (59.8 kN)
Power Boost	13,230 lb (58.8 kN)	14,550 lb (64.7 kN)
Bucket digging force		
Standard	17,420 lb (77.5 kN)	17,420 lb (77.5 kN)
Power Boost	19,180 lb (85.3 kN)	19,180 lb (85.3 kN)

This page intentionally left blank.

: All specifications are stated in accordance with SAE Standards or Recommended Practices, where applicable.

o. - CE 228-07-99
s Form No. - None

IMPORTANT: Case Corporation reserves the right to change these specifications without notice and without incurring any obligation relating to such change. Case Corporation does not warrant the safety or reliability of attachments from other manufacturers.

Visit Case Corporation on the Web at:
<http://www.casecorp.com>
Printed in U.S.A.

9010B Page 6 of 6

*Slide-Loc is a registered trademark of JRB Company, Inc.

**Lexan is a registered trademark of the General Electric Co.

© 1999 CASE CORPORATION. All Rights Reserved.
CASE is a registered trademark of Case Corporation.

CASE CORPORATION
700 STATE STREET
RACINE, WI 53404 U.S.A.

CASE CANADA CORPORATION
450 SHERMAN AVENUE NORTH
HAMILTON, ON L8N 4C4 CANADA

The logo for CASE Corporation, featuring the word "CASE" in a bold, italicized, sans-serif font. The letters are black with a white outline. Below the text is a thick, black horizontal bar that tapers at both ends, resembling a stylized underline or a base for the letters.