



# 410C

## BACKHOE LOADER



Model shown may include options

**SAE Net  
Horsepower**

75 hp  
(56 kW)

**Digging  
Depth**

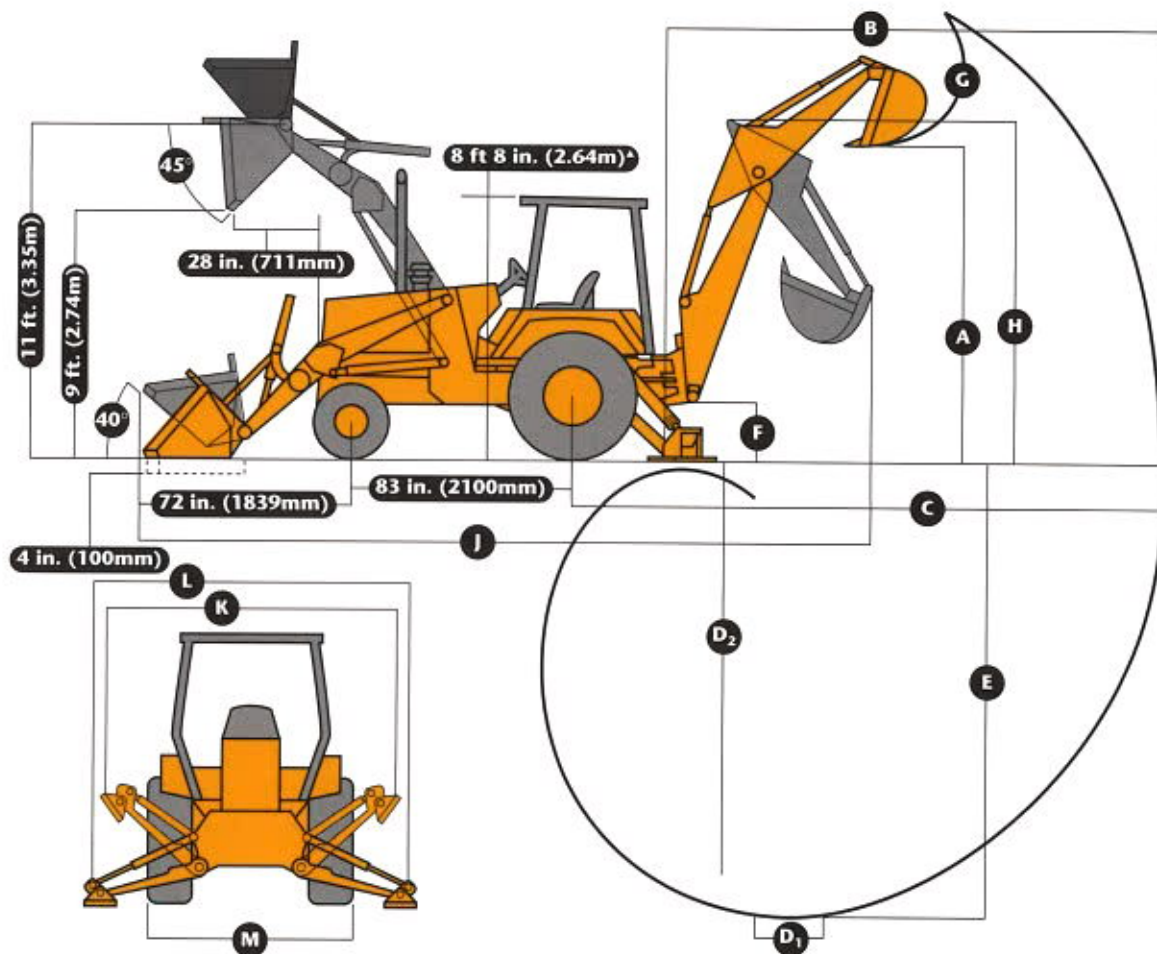
15 ft. 4 in.  
(4.67 m)  
(long stick)

**Operating  
Weight SAE**

14,400 lb.  
(6550 kg)



# DIMENSIONS

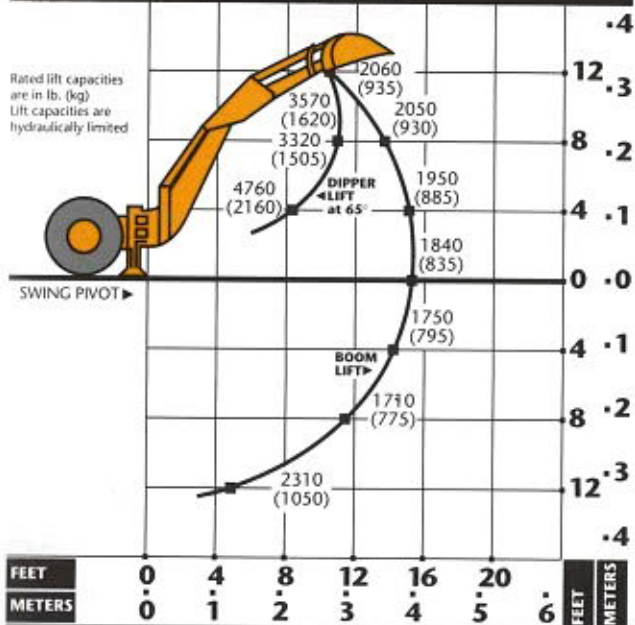


## ▲ ROPS and Cab

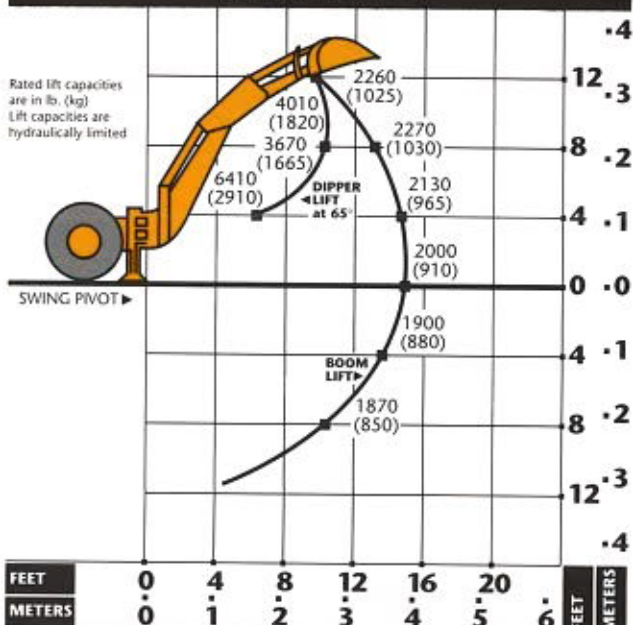
Key:	Backhoe* w/Long Dipperstick	Backhoe* w/Short Dipperstick	Retracted	Extendable Dipperstick Extended
A. Loading height, truck loading position	11 ft. 10 in. (3.61 m)	11 ft. 1 in. (3.38 m)	11 ft. 6 in. (3.51 m)	13 ft. 11 in. (4.24 m)
B. Reach from center of swing mast	18 ft. 5 in. (5.61 m)	17 ft. 9 in. (5.42 m)	17 ft. 9 in. (5.42 m)	21 ft. 5 in. (6.53 m)
C. Reach from center of rear axle	22 ft. 2 in. (6.76 m)	21 ft. 6 in. (6.55 m)	21 ft. 6 in. (6.55 m)	25 ft. 2 in. (7.67 m)
D. Digging depth (SAE): (1) 2-ft. (610 mm) flat bottom	15 ft. 3 in. (4.65 m)	14 ft. 6 in. (4.42 m)	14 ft. 6 in. (4.42 m)	18 ft. 4 in. (5.59 m)
(2) 8-ft. (2440 mm) flat bottom	14 ft. 2 in. (4.32 m)	13 ft. 5 in. (4.09 m)	13 ft. 5 in. (4.09 m)	17 ft. 6 in. (5.34 m)
E. Maximum digging depth	15 ft. 4 in. (4.67 m)	14 ft. 8 in. (4.47 m)	14 ft. 8 in. (4.47 m)	18 ft. 5 in. (5.61 m)
F. Ground clearance, minimum	12 in. (305 mm)	12 in. (305 mm)	12 in. (305 mm)	12 in. (305 mm)
G. Bucket rotation	160 or 180 degrees	160 or 180 degrees	160 or 180 degrees	160 or 180 degrees
H. Transport height	11 ft. 5 in. (3.48 m)	11 ft. 5 in. (3.48 m)	11 ft. 8 in. (3.56 m)	11 ft. 8 in. (3.56 m)
J. Overall length, transport	23 ft. 5 in. (7.14 m)	22 ft. 11 in. (6.99 m)	23 ft. (7.01 m)	23 ft. (7.01 m)
K. Stabilizer width—transport	7 ft. 8 in. (2.34 m)	7 ft. 8 in. (2.34 m)	7 ft. 8 in. (2.34 m)	7 ft. 8 in. (2.34 m)
L. Stabilizer spread—operating	9 ft. 10 in. (3.00 m)	9 ft. 10 in. (3.00 m)	9 ft. 10 in. (3.00 m)	9 ft. 10 in. (3.00 m)
M. Overall width (less loader bucket)	82 in. (2080 mm)	82 in. (2080 mm)	82 in. (2080 mm)	82 in. (2080 mm)
Digging force, bucket cylinder (power dig position)	11,700 lb. (52 kN) (5310 kg)	11,700 lb. (52 kN) (5310 kg)	11,700 lb. (52 kN) (5310 kg)	11,700 lb. (52 kN) (5310 kg)
Digging force, crowd cylinder	6300 lb. (28 kN) (2860 kg)	6800 lb. (30.3 kN) (3085 kg)	6800 lb. (30.3 kN) (3085 kg)	4600 lb. (20.5 kN) (2085 kg)
Swing arc	180 deg.	180 deg.	180 deg.	180 deg.
Operator control	Two levers	Two levers	Right foot treadle	Right foot treadle
Bucket positions	9 or 18 deg. rollback	12 or 21 deg. rollback	8 or 17 deg. rollback	12 or 22 deg. rollback
Stabilizer angle rearward	14.5 deg.	14.5 deg.	14.5 deg.	14.5 deg.
Lifting capacity, maximum, boom at 65 deg.	4100 lb. (1860 kg)	4200 lb. (1910 kg)	4100 lb. (1860 kg)	2700 lb. (1220 kg)
Leveling angle	14 deg.	14 deg.	14 deg.	14 deg.

\*Backhoe specifications are with 24 in. x 7.5 cu. ft. (610 mm x 0.21 m<sup>3</sup>) bucket.

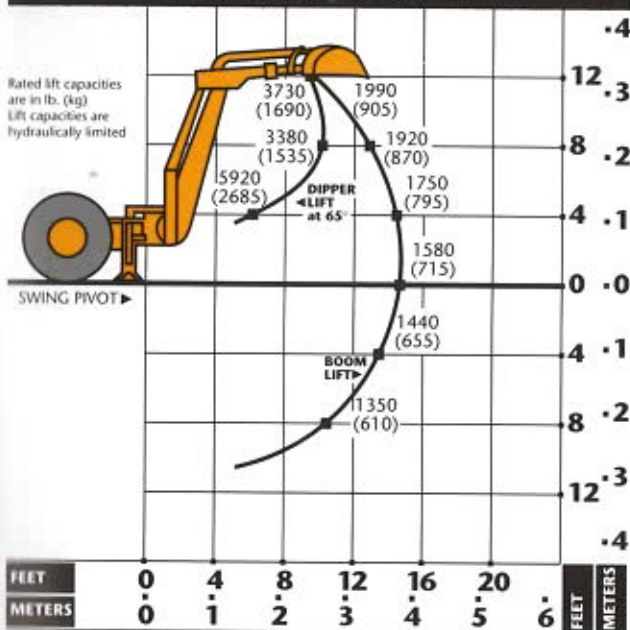
### LIFT CAPACITY Backhoe with long dipperstick. Based on SAE J31.



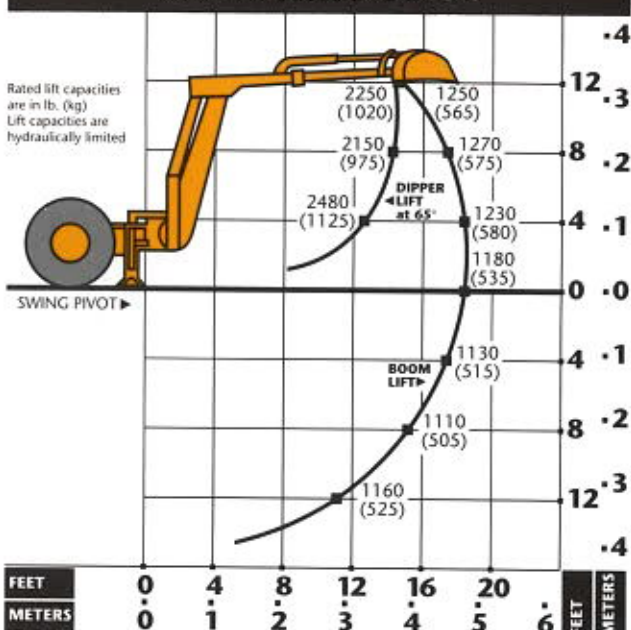
### LIFT CAPACITY Backhoe with short dipperstick. Based on SAE J31.



### LIFT CAPACITY Backhoe with extendable dipperstick, retracted. Based on SAE J31.



### LIFT CAPACITY Backhoe with extendable dipperstick, extended. Based on SAE J31.



### BACKHOE BUCKETS

	Width		Capacity		Weight	
	in.	(mm)	Cu. Ft.	(m <sup>3</sup> )	lb.	(kg)
Standard-duty	12	(305)	2.5	(0.07)	247	(112)
	16	(406)	3.6	(0.10)	270	(122)
	18	(457)	5.1	(0.14)	338	(153)
	24	(610)	7.5	(0.21)	378	(171)
	30	(762)	10.0	(0.28)	428	(194)
	36	(914)	10.0	(0.28)	432	(196)
Heavy-duty	36	(914)	14.5	(0.41)	674	(306)
	18	(457)	5.1	(0.14)	348	(158)
	24	(610)	7.5	(0.21)	400	(181)
	24	(610)	8.8	(0.25)	460	(209)
	30	(762)	10.0	(0.28)	472	(214)

### LOADER PERFORMANCE

Operator control	single lever
Breakout force	9500 lb. (42.3 kN) (4309 kg)
Lifting capacity, full height	5800 lb. (2630 kg)
Raising time to full height	4.4 sec.
Bucket dump time	1.0 sec.
Bucket lowering time (power down)	3.0 sec.

### LOADER BUCKETS

Loader:	Width		Heaped Capacity		Weight	
	in.	(mm)	Cu. Yd.	(m <sup>3</sup> )	lb.	(kg)
General purpose	92	(2340)	1.0	(0.76)	706	(320)
	92	(2340)	1.3	(1.0)	796	(361)
Long lip	89	(2270)	1.25	(0.96)	750	(340)

m)  
m)  
m)  
m)  
2.9

m)  
m)  
m)  
2.8  
es

3  
lb.  
(g)  
lb.  
(g)

ter  
n<sup>2</sup>)  
ons  
(in  
ent

666 666