



210C

LANDSCAPE LOADER



Model shown may include options

**SAE Net
Horsepower**

60 hp N.A.
(45 kW)

Displacement

239 cu. in.
(3.917 L)

Loader Lift

4,630 lb.
(2100 kg)

ENGINE

John Deere engineered and manufactured. Replaceable wet-type cylinder liners provide superior heat dissipation, longer life. High-strength alloy head has replaceable valve seat inserts. The forged steel, 5-main-bearing crankshaft is statically and dynamically balanced for smooth operation. Cast aluminum pistons provide good heat transfer and pistons are sprayed with cooling oil for longer life.

Engine: John Deere 4039D
Rated power at 2,200 rpm60 SAE net hp (45 kW)
.....63 SAE gross hp (47 kW)
Cylinders4
Displacement239 cu. in. (3,917 L)
Fuel consumption, typical ...1.12 to 1.75 gal./hr. (4.25 to 6.6 L/h)
Torque rise, 20 percent172 lb.-ft. (233 Nm)
Lubricationpressure system w/full-flow filter and cooler
Air cleanerdual stage dry type with safety element and precleaner
Electrical system12 volt with 95-amp alternator
Sucker-type cooling fan

TRANSMISSION

John Deere designed and built 4-speed helical gear, synchronized collar shift transmission with hydraulic reverser. Uses single stage, dual phase 11-inch (280 mm) torque converter with 2.78:1 stall ratio.

TRAVEL SPEEDS

Gear	Forward		Reverse		
	mph	(km/h)	mph	(km/h)	
* With 16.9-24 rear tires	1	3.4	5.5	3.3	5.3
	2	5.7	9.2	5.6	9.0
	3	12.3	19.8	12.2	19.6
	4	20.1	32.3	18.0	29.0

FINAL DRIVES

Heavy-duty, inboard-mounted planetary type. Evenly distribute axle shock loads over three gears that run in a cooling oil bath.

BRAKES

Hydraulic wet disk service brakes are mounted inboard and are pressure cooled and lubricated. They're self-adjusting and self-equalizing. Individual pedals can be applied together or separately. **Parking/emergency brake** is an independent system that is spring-applied, hydraulically released, and controlled by an electric switch on the control console. Automatically neutralizes reverser when parking brake is applied. A mechanical V-groove band applies pressure on differential ring gear. All brakes conform to SAE J1473.

CAPACITIES

Fuel tank23 gal. (87 L)
Engine coolant17 qt. (16 L)
Engine oil including filter9 qt. (8.5 L)
Torque converter and reverser system8 qt. (7 L)
Hydraulic system16 gal. (60 L)

STEERING

Hydrostatic power steering gives superior control at all speeds. Excellent steering torque allows easy maneuvering with heavy loads. Power steering conforms to SAE J1151 and emergency steering to SAE J53.

Non-powered axle
Curb turning radius with brakes12 ft. 0 in. (3.67 m)
without brakes13 ft. 2 in. (4.0 m)
Bucket clearance circle with brakes32 ft. 5 in. (9.89 m)
without brakes34 ft. 7 in. (10.55 m)
Steering wheel turns, stop to stop2.2 to 2.9
Mechanical-front-wheel drive
Curb turning radius with brakes11 ft. 9 in. (3.57 m)
without brakes13 ft. 5 in. (4.10 m)
Bucket clearance circle with brakes30 ft. 9 in. (9.38 m)
without brakes34 ft. 3 in. (10.44 m)
Steering wheel turns, stop to stop2.5
Axle oscillations stop to stop, both axles22 degrees

Axle ratings:	Static	Dynamic	SAE J43
Front	36,300 lb. (16 400 kg)	36,300 lb. (16 400 kg)	13,400 lb. (6000 kg)
Rear	41,100 lb. (18 600 kg)	54,800 lb. (24 800 kg)	11,430 lb. (5100 kg)

HYDRAULICS

Systemopen center
Pressure, main relief2,700 psi (18 620 kPa)
Pumpgear type
Flow at 2,200 rpm24 gpm (91 L/min.)
Filter, return oil10 micron, spin-on replaceable element

CYLINDERS

	Bore		Stroke		Rod	
	in.	(mm)	in.	(mm)	in.	(mm)
Loader boom (2)	2.76	70	29.8	757	1.77	45
Loader bucket (1)	2.76	70	28.1	715	1.75	40
Steering (1)						
regular axle	2.00	51	9.5	241	1.00	25
Steering (1) MFWD	2.36	60	7.9	201	1.25	32

TIRES

Rear	Front
16.9-24, 8 PR, R4	11L-15, 8 PR
With mechanical-front-wheel drive	
16.9-24, 8 PR, R4	12-16.5, 8 PR

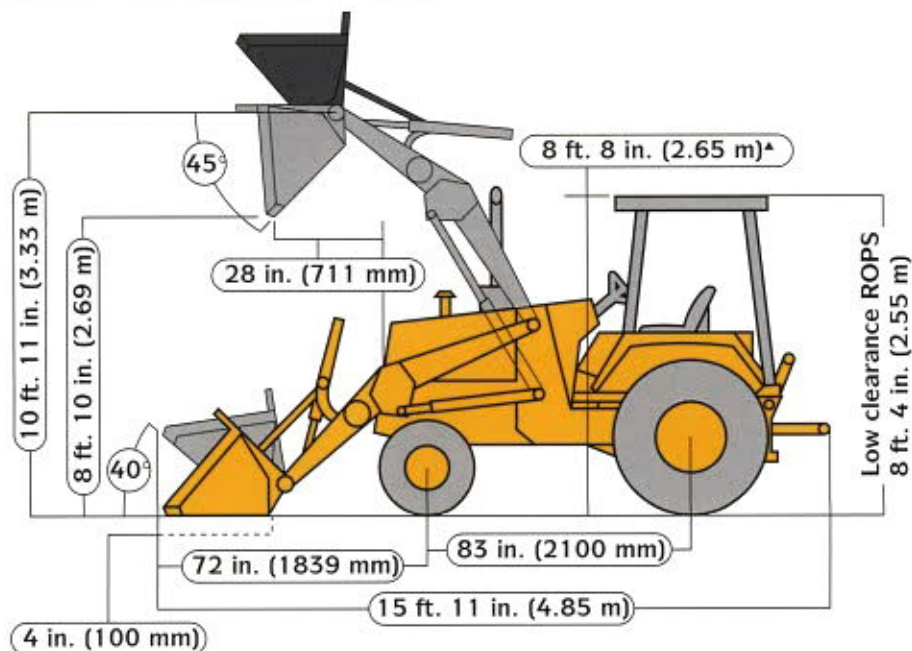
OPERATING WEIGHTS

210C Landscape Loader w/o Gannon
three-point hitch7,600 lb. (3447 kg)
Mechanical-front-wheel drive adds190 lb. (86 kg)
See backhoe and loader buckets for bucket weights.

NOTE: Unless equipped with a backhoe, this machine **requires** rear counterweight. See your John Deere dealer for rear attachments and counterweights.

Specifications and design subject to change without notice. Wherever applicable, specifications are in accordance with SAE standards. Except where otherwise noted, these specifications are based on a unit with 16.9-24, 8 PR rear tires, 11L-15, 8 PR front tires, and 1.12 cu. yd. (0.86 m³) loader bucket.

DIMENSIONS



LOADER PERFORMANCE

	w/1.12 cu. yd. (.86 m ³) Heavy-Duty Long Lip Bucket	w/1.0 cu. yd. (.76 m ³) Multi-purpose Bucket
Operator control	single lever	single lever
Breakout force	6,700 lb. (27.1 kN)	5,500 lb. (22.2 kN)
Lifting capacity, full height	4,630 lb. (2100 kg)	3,530 lb. (1602 kg)
Height to bucket hinge pin, max.	10 ft. 10 in. (3.31 m)	10 ft. 10 in. (3.31 m)
Dump clearance	8 ft. 11 in. (2.72 m)	8 ft. 4 in. (2.54 m)
Bucket dump angle, max.	40 degrees	45 degrees
Reach at full height, bucket at 45 degrees	30 in. (760 mm)	30 in. (760 mm)
Roll back at ground level	40 degrees	41 degrees
Digging depth below ground, bucket level	4 in. (118 mm)	7 in. (180 mm)
Raising time to full height	4.5 seconds	4.5 seconds
Bucket dump time	1.1 seconds	1.1 seconds
Bucket lowering time	2.5 seconds	2.5 seconds

LOADER BUCKETS

Loader:	Width	Heaped Capacity	Weight
	in. (mm)	cu. yd. (m ³)	lb. (kg)
Heavy-duty long lip	86 (2184)	1.12 (0.86)	918 (417)
Multipurpose	84 (2134)	1.0 (0.76)	1,341 (608)