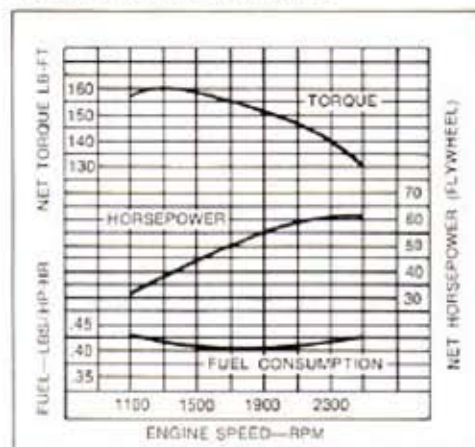




JD410 BACKHOE LOADER



ENGINE PERFORMANCE



FEATURES

- 62 SAE net hp (65.9 DIN-PS)
- Backhoe digging depth (ICED) 15 ft. 2 in. (4.62 m)
- Hydraulic direction reverser
- Self-adjusting wet-disk brakes
- Inboard planetary final drives
- Foot-operated differential lock
- Roll-over protective structure (ROPS)
- Choice of 2 self-leveling loader buckets
- Single-lever loader control
- Single, swing-around seat
- Choice of 10 backhoe buckets
- Choice of 4 ADCO™ buckets specially designed for rock, frost, and other tough digging conditions
- Two-lever backhoe control
- Extendable dipperstick available
- Power steering

JD410 BACKHOE LOADER SPECIFICATIONS

(Specifications and design subject to change without notice. Wherever applicable, specifications are in accordance with ICED and SAE Standards. Except where otherwise noted, these specifications are based on a unit equipped with 16.9-24, 8-ply-rating rear tires; 11L-16, 10-ply-rating front tires; 1 cu. yd. (0.76 m³) loader bucket; 24 in. (610 mm) standard backhoe bucket and standard equipment.)

Power (@ 2500 engine rpm):	SAE	DIN
Gross	66 hp (49.2 kW)	
Net	62 hp (46.2 kW)	65.9 PS

Net engine flywheel power is for an engine equipped with fan, air cleaner, water pump, lubricating oil pump, fuel pump, alternator, and muffler. Gross engine power is without fan. Flywheel power ratings are under SAE standard conditions of 500-ft. altitude and 85°F. temperature and DIN 79 020 standard conditions of 760 mm Hg barometer (sea level) and 20°C. temperature.

▲ Engine: John Deere 4-cylinder diesel, valve-in-head, 4-stroke cycle

Bore and stroke	4.02×4.33 in. (102×110 mm)
Piston displacement	219 cu. in. (3588 cm ³)
Compression ratio	16.2 to 1
Maximum torque @ 1,300 rpm	160 lb-ft (217 Nm) (22.1 kg-m)
NACC or AMA (U.S. Tax) horsepower	25.65
Main bearings	5
Lubrication	Pressure system w/full-flow filter
Cooling	Pressurized w/thermostat and fixed bypass
Fan	Suction
Air cleaner	Dry
Electrical system	12-volt w/alternator
Batteries (two 6 volt)	Reserve capacity; 340 minutes each

Engine Clutch Foot-operated automotive-type clutch with 10-in. (254 mm) plate

▲ Transmission:

Constant mesh, 8 speeds forward, 8 reverse. Standard hydraulic direction reverser permits no-clutch reversing in all gears.

Gear:	Travel Speeds				
	mph		km/h		
	Fwd.	Rev.	Fwd.	Rev.	Rev.
1	1.4	1.6	2.3	2.6	
2	2.0	2.3	3.2	3.7	
3	3.0	3.5	4.8	5.6	
4	4.3	4.8	6.8	7.7	
5	5.5	6.3	8.9	10.1	
6	7.9	9.0	12.7	14.5	
7	11.7	13.5	18.8	21.7	
8	16.4	18.7	26.4	30.1	

Final Drives Inboard, planetary

Brakes Hydraulically actuated, fully enclosed wet-disk. Self-equalizing. Foot-operated individually or simultaneously.

Steering Power
Turning radius (brake applied) 10 ft. 2 in. (3.10 m)
Loader clearance (brake applied) 30 ft. (9.14 m)
Number of turns (far left to far right) 3.3

Hydraulic System: Closed center

Max. pressure 2350 psi (16 203 kPa) (165.2 kg/cm²)
Loader control Single-lever
Backhoe control Two-lever
Pump Piston, constant pressure, variable-displacement, 38 gpm (2.4 L/s) @ 2500 engine rpm
Filter 25-micron steel-enclosed paper cartridge in return

Hydraulic Cylinders:	Bore	Stroke
Loader boom	3.25 in. (83 mm)	28.7 in. (729 mm)
Loader bucket	3.25 in. (83 mm)	16.7 in. (424 mm)
Backhoe boom	4.5 in. (114 mm)	36.75 in. (932 mm)
Backhoe crowd	4.5 in. (114 mm)	35.5 in. (902 mm)
Backhoe bucket	3.5 in. (89 mm)	27.37 in. (695 mm)
Backhoe swing	4 in. (102 mm)	9.31 in. (236 mm)
Stabilizer	3.5 in. (89 mm)	16.94 in. (429 mm)
Cylinder rods	Ground, heat-treated, chrome-plated, polished	
Loader boom, backhoe swing and stabilizer cylinder rods	1.75-in. (44 mm) dia.	

▲ Indicates change from previous printing.

Loader bucket cylinder rods 1.50-in. (38mm) dia.
Backhoe crowd, boom and bucket cylinder rods 2.25-in. (57mm) dia.

Tires:	Front	Rear
	11L-16, 10-ply-rating, F3	16.9-24, 8-ply-rating, R4
	7.50/8.00-16, 10-ply-rating F3	18.4-24, 8-ply-rating, R4
		18.4-24, 10-ply-rating, R4
		19.5L-24, 8-ply-rating, R4
		21L-24, 8-ply-rating, R4

Wheel Treads:

Front .61 in. (1.55 m)
Rear .66 in. (1.63 m)

Capacities:	U.S.	Imp.	Liters
Cooling system	13 qt.	10.8 qt.	12.3
Fuel tank	19.5 gal.	16.3 gal.	73.8
Engine lubrication, including filter	9 qt.	7.5 qt.	8.5
Transmission and hydraulic system	20.5 gal.	17.1 gal.	77.6
Transmission only	10 gal.	8.3 gal.	37.8

OPERATING INFORMATION

LOADER:

Rollback at ground level 40 deg.
Breakout force 7500 lb. (33.62 kN) (3402 kg)
Digging depth below ground level (with bucket level) 4 in. (102 mm)
Lifting capacity, full height 5000 lb. (2268 kg)
Height to bucket hinge pin 10 ft. 9 in. (3.28 m)
Maximum dump angle 50 deg.
Clearance, bucket dumped at 45 degrees 8 ft. 6 in. (2.59 m)
Reach at maximum height, bucket dumped at 45 degrees 2 ft. 9 in. (838 mm)
Raising time to full height 4.6 sec.
Bucket dump time 1.3 sec.
Lowering time (power) 2.9 sec.

BACKHOE:

Digging depth (ICED):
Maximum 15 ft. 4 in. (4.67 m)
2-ft. (610 mm) flat bottom 15 ft. 2 in. (4.62 m)
8-ft. (2.44 m) flat bottom 14 ft. 2 in. (4.32 m)
Swing arc 180 deg.
Lifting capacity:
Boom at full reach and full height 1950 lb. (884 kg)
Dipper lifting, boom holding, full height 3300 lb. (1497 kg)
Digging force (bucket cylinder in power-dig position) 9650 lb. (43.25 kN) (4377 kg)
▲ Digging force, crowd cylinder 7158 lb. (32.08 kN) (3247 kg)
Reach from center of swing mast 18 ft. 8 in. (5.69 m)
Reach from center of rear axle 21 ft. 11 in. (6.68 m)
Loading height (truck-loading position) 11 ft. 9 in. (3.58 m)
Transport height 11 ft. 7 in. (3.53 m)
Bucket rotation Adjustable for 123, 126, or 154 deg.
Bucket position Adjustable for 22 or 13 deg. rollback and 2 deg. forward

Stabilizer Width:

Transport position 7 ft. 3 in. (2.21 m)
Operating position (overall) 10 ft. 2 in. (3.10 m)
Operating position (ICED) 8 ft. 9 in. (2.67 m)

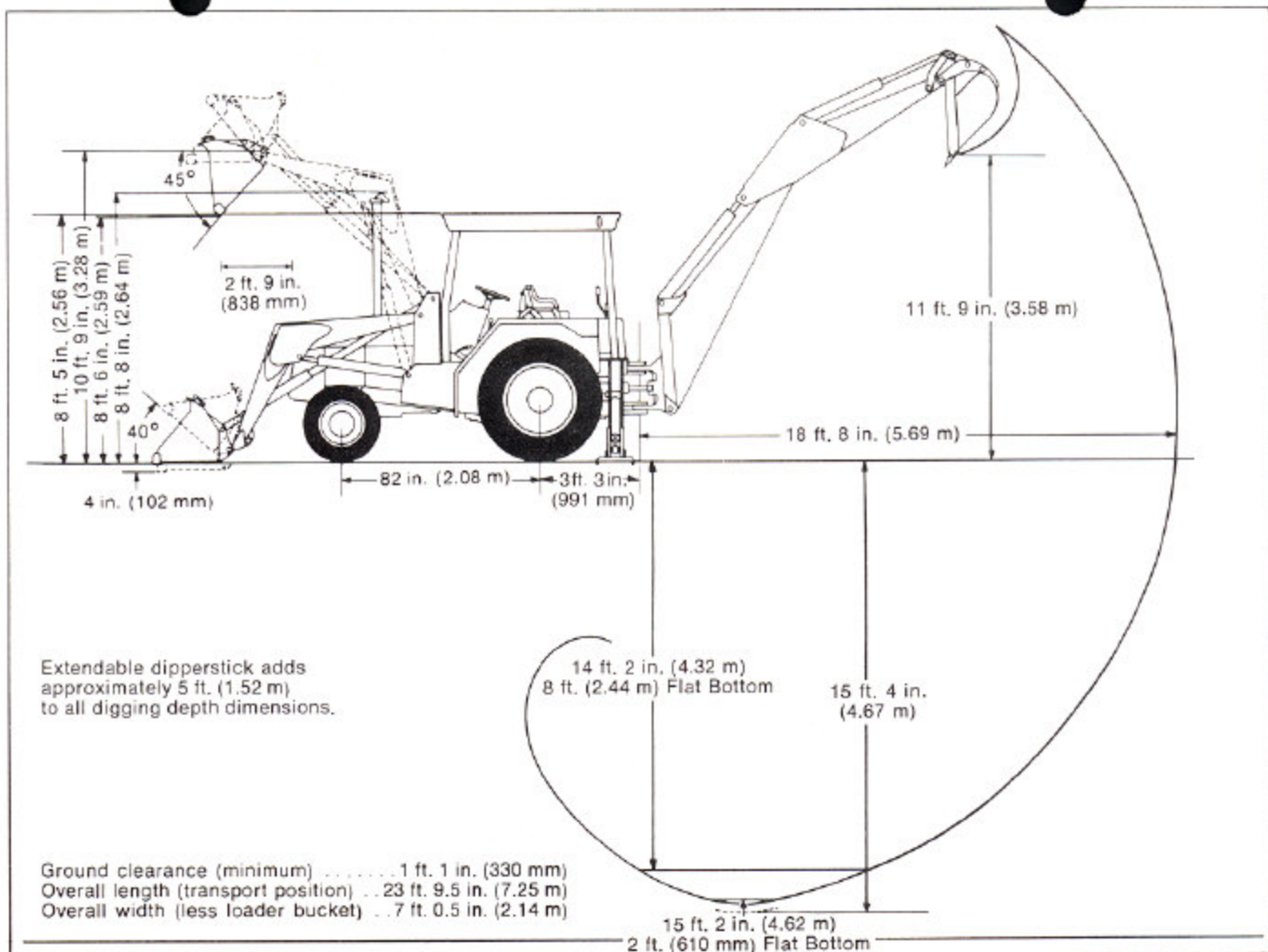
Buckets:

LOADER	Nominal Heaped Capacity	Width
	1 cu. yd. (0.76 m ³)	89.4 in. (2.27 m)
	1 1/4 cu. yd. (0.96 m ³)	89.4 in. (2.27 m)

BACKHOE

	Struck Capacity	Width
Standard	2.5 cu. ft. (0.071 m ³)	12 in. (305 mm)
	3.6 cu. ft. (0.102 m ³)	16 in. (406 mm)
	4.4 cu. ft. (0.125 m ³)	18 in. (457 mm)
	6.0 cu. ft. (0.170 m ³)	24 in. (610 mm)
	7.6 cu. ft. (0.215 m ³)	30 in. (762 mm)
	7.2 cu. ft. (0.204 m ³)	36 in. (914 mm)
Heavy-duty	4.4 cu. ft. (0.125 m ³)	18 in. (457 mm)
	6.0 cu. ft. (0.170 m ³)	24 in. (610 mm)
	7.6 cu. ft. (0.215 m ³)	30 in. (762 mm)
Ejector	4.2 cu. ft. (0.119 m ³)	24 in. (610 mm)

JD410 BACKHOE LOADER DIMENSIONS



Additional Standard Equipment:

- Horizontal muffler w/vertical exhaust
- Key switch w/push-button safety start
- Oil pressure indicator light
- Alternator charge indicator light
- Water temperature gauge
- Fuel gauge
- Electric hourmeter
- Rigid-mount platform
- Differential lock
- Fenders
- Bucket level indicator
- Deluxe swing-around seat
- Foot throttle
- Electrically operated destroke valve for hydraulic pump
- Antifreeze
- Rear reflector
- Lights
- Cigaret lighter
- Transistorized voltage regulator
- ROPS and seat belt w/canopy
- Ether starting aid
- Tachometer
- Air cleaner restriction indicator
- Horn

Special Equipment:

- Front axle counterweight
- Cab w/heater, pressurizer, front and rear windshield wiper (includes ROPS)
- Ripper tooth for backhoe
- Bolt-on stabilizer street pads
- Locking instrument panel cover
- Parking brake
- Extendable dipperstick
- Backup alarm
- Reversible stabilizer pads

SAE Operating Weight 14,210 lb. (6446 kg)

