

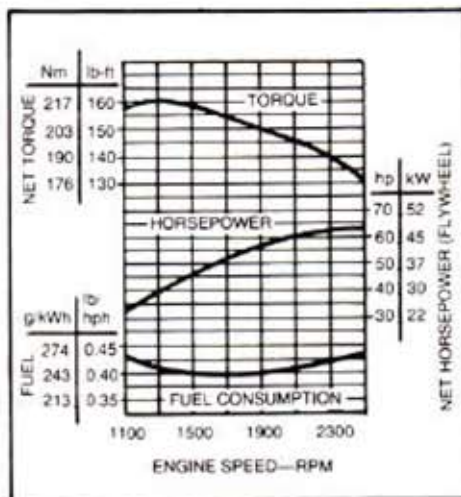


401D LOADER BACKHOE



Model shown may include options

ENGINE PERFORMANCE



FEATURES

- 62 SAE net hp (46.2 kW)
- Backhoe digging depth (ICED) 14 ft. 2 in. (4.30 m)
- Hydraulic direction reverser
- Self-adjusting wet-disk brakes
- Inboard planetary final drives
- Four-post roll-over protective structure (ROPS)
- Choice of two self-leveling loader buckets
- Single-lever loader control
- Turn-around seat
- Two-lever backhoe control
- Choice of 9 backhoe buckets
- Hydrostatic power steering
- Optional foot-operated differential lock
- Stabilizer lockout valves

401D LOADER BACKHOE SPECIFICATIONS

(Specifications and design subject to change without notice. Wherever applicable, specifications are in accordance with ICED and SAE Standards. Except where otherwise noted, these specifications are based on a unit equipped with 16.9-24, 8 PR, R4 rear tires; 11L-15, 8 FR front tires; 3/4-cu.-yd. (0.57 m³) loader bucket, 24-in. (610 mm) standard backhoe bucket, diesel engine, full fuel tank, 175-lb. (79 kg) operator and standard equipment.)

Power (@ 2500 engine rpm):	SAE	DIN
Gross	66 hp (49.2 kW)	
Net	62 hp (46.2 kW)	48.5 kW

▲ Net engine power is with standard equipment including air cleaner, exhaust system, alternator and cooling fan. Gross power is without cooling fan. Power ratings are at standard conditions per SAE J1349 and DIN 70 020.

Engine: John Deere 4-cylinder diesel, valve-in-head, 4-stroke cycle

Bore and stroke	4.02×4.33 in. (102×110 mm)
Piston displacement	219 cu. in. (3.589 L)
Compression ratio	16.2 to 1
Maximum torque @ 1300 rpm	160 lb-ft (21.7 Nm) (22.1 kg-m)
NACC or AMA (U.S. Tax) horsepower	25.65
Main bearings	5
Lubrication	Pressure system w/full flow filter
Cooling	Pressurized w/thermostat and fixed bypass
Fan	Suction
Air cleaner	Dry
Electrical system	12-volt w/alternator
Battery (two 12 volt)	Reserve capacity: 220 minutes
Alternator	35 amps

Engine Clutch: Foot-operated, single 10 in. (255 mm) plate

Transmission: Constant mesh, 8 speeds forward, 8 reverse. Standard hydraulic direction reverser permits no-clutch reversing in all gears.

Gear:	Travel Speeds			
	Forward		Reverse	
	mph	km/h	mph	km/h
1	1.4	2.3	1.6	2.6
2	2.0	3.2	2.3	3.7
3	3.0	4.8	3.5	5.6
4	4.2	6.8	4.8	7.7
5	5.5	8.9	6.4	10.3
6	7.9	12.7	9.1	14.6
7	11.7	18.8	13.6	21.9
8	16.3	26.2	19.0	30.6

Final Drives: Inboard, planetary

Brakes: Hydraulically actuated, fully enclosed wet-disk. Self-equalizing. Foot-operated individually or simultaneously.

Steering: Hydrostatic power

Turning radius (brake applied)	11 ft. 6 in. (3.50 m)
Turning clearance circle, dia. (brake applied)	32 ft. (9.75 m)
Number of turns, far left to far right	2.8
far right to far left	2.3

Hydraulic System: Closed-center

Max. pressure	2320 psi (16 000 kPa) (163 kg/cm ²)
Loader control	Single-lever
Backhoe control	Two-lever
Pump	Piston, constant pressure, variable displacement, 28 gpm (1.76 L/s) at 2500 engine rpm
Filter	25-micron steel-enclosed paper cartridge in return

Hydraulic Cylinders:

Non-Self-Leveling Loader	Bore	Stroke	Rods
Loader boom	2.75 in. (70 mm)	28.3 in. (718 mm)	1.75 in. (44 mm) dia.
Loader bucket	2.50 in. (74 mm)	27.3 in. (693 mm)	1.50 in. (38 mm) dia.
Cylinder rods	Ground, heat-treated, chrome-plated, polished		

Self-Leveling Loader

Loader boom	3.25 in. (83 mm)	28.6 in. (726 mm)	1.75 in. (44 mm) dia.
Loader bucket	2.50 in. (64 mm)	15.1 in. (384 mm)	1.25 in. (32 mm) dia.
Cylinder rods	Ground, heat-treated, chrome-plated, polished		

Backhoe (9250B)

Boom	4.00 in. (102 mm)	33.5 in. (851 mm)	2.00 in. (52 mm)
Crowd	3.50 in. (89 mm)	31.9 in. (794 mm)	1.75 in. (44 mm)

	Bore	Stroke	Rods
Bucket	3.00 in. (76 mm)	26.5 in. (673 mm)	1.75 in. (44 mm)
Swing	3.50 in. (89 mm)	8.9 in. (226 mm)	1.75 in. (44 mm)
Stabilizer	3.50 in. (89 mm)	15.5 in. (394 mm)	1.75 in. (44 mm)
Cylinder rods	Ground, heat-treated, chrome-plated, polished		

Tires:

	Front	Rear
	7.50/8.00-16, 10 PR, F3, standard	16.9-24, 8 PR, R4, standard
	11L-15, 8 PR, F3	17.5L-24, 8 PR, R4
		19.5L-24, 8 PR, R4

Wheel Treads:

Front	58 in. (1.45 m)
Rear	62 in. (1.57 m)

Dimensions:

Overall height to top of muffler	8 ft. 8 in. (2.65 m)
Overall height to top of canopy	7 ft. 8 in. (2.35 m)
Overall height to top of lights	7 ft. 10 in. (2.40 m)
Overall width w/o bucket	6 ft. 8 in. (2.05 m)
Overall length	22 ft. 7 in. (6.90 m)
Wheelbase	82 in. (2.10 m)
Ground clearance (under front axle)	1 ft. 5 in. (430 mm)
Ground clearance, min.	13 in. (330 mm)

Capacities:

	U.S.	Liters
Cooling system	12 qt.	11.4
Fuel tank	19.5 gal.	73.8
Engine lubrication, including filter	9 qt.	8.5
Transmission and hydraulic system	10 gal.	37.9
Loader hydraulic system	3 gal.	11.4
Backhoe hydraulic system	5 gal.	18.9

- Additional Standard Equipment:**
- Air cleaner restriction indicator
 - Alternator charge indicator light
 - Antifreeze
 - Coolant temperature gauge
 - Engine oil pressure indicator light
 - Fenders
 - Four-post ROPS canopy w/seat belt
 - Fuel level gauge
 - Hand- and foot-operated engine speed control
 - Horn
 - Key start switch
 - Lights
 - Muffler, under hood w/vertical exhaust
 - Rear reflectors
 - Seat, turn-around
 - Tachometer/hourmeter
 - Transistorized voltage regulator
 - No differential lock
 - No parking brake
 - No PTO
 - No rockshaft or 3-point hitch
 - No remote cylinder control

SAE Operating Weight 10,800 lb. (4900 kg)

401D LOADER BACKHOE SPECIFICATIONS

OPERATING INFORMATION	NON SELF-LEVELING LOADER	SELF-LEVELING LOADER
Buckets:		
Nominal heaped capacity	¾ cu. yd. (0.57 m ³)	¾ cu. yd. (0.57 m ³) 1 cu. yd. (0.76 m ³)
Width	81.1 in. (2.05 m)	81.1 in. (2.05 m)
Rollback at ground level	15 deg.	27 deg.
Breakout force	5500 lb. (24.5 kN) (2495 kg)	7900 lb. (35.1 kN) (3585 kg)
Digging depth below ground level (w/bucket level)	6 in. (150 mm)	6 in. (150 mm)
Lifting capacity, full height	3500 lb. (1590 kg)	4800 lb. (2180 kg)
Height to bucket hinge pin	10 ft. 1 in. (3.05 m)	10 ft. 1 in. (3.05 m)
Maximum dump angle	45 deg.	45 deg.
Clearance, bucket dumped @ 45 degrees	8 ft. 2 in. (2.50 m)	8 ft. 2 in. (2.50 m)
Reach at maximum height, bucket dumped @ 45 degrees	2 ft. 6 in. (760 mm)	2 ft. 6 in. (760 mm)
Raising time to full height	3.2 sec.	3.8 sec.
Bucket dump time	2.0 sec.	1.5 sec.
Lowering time (power)	2.0 sec.	3.0 sec.
Float-down time	3.5 sec.	5.1 sec.
Minimum effective rear wheel counterweight required, except when used with backhoe	2350 lb. (1065 kg)	4450 lb. (2020 kg)

BACKHOE (9250B):

Digging depth (ICED):	
Maximum	14 ft. 2 in. (4.30 m)
2-ft. (610 mm) flat bottom	14 ft. (4.25 m)
8-ft. (2.45 m) flat bottom	10 ft. 4 in. (3.15 m)
Swing arc	180 deg.
Lifting capacity:	
To full height	
Boom	1300 lb. (590 kg)
Dipperstick (boom holding)	2200 lb. (1000 kg)
To 10 ft. (3.05 m)	
Boom	1300 lb. (590 kg)
Dipperstick (boom holding)	2800 lb. (1270 kg)
Digging force:	
Bucket cylinder in power-dig position	7400 lb. (32.9 kN) (3355 kg)
Crowd cylinder	4100 lb. (18.2 kN) (1860 kg)
Reach:	
From center of swing mast	17 ft. 3 in. (5.25 m)
From center of rear axle	20 ft. 4 in. (6.20 m)
Loading height (truck-loading position)	11 ft. 8 in. (3.55 m)
Transport height	11 ft. 2 in. (3.40 m)

Stabilizer Width:

Transport position	6 ft. 8 in. (2.05 m)
Operating position (overall)	9 ft. 8 in. (2.95 m)
Operating position (ICED)	8 ft. 6 in. (2.60 m)

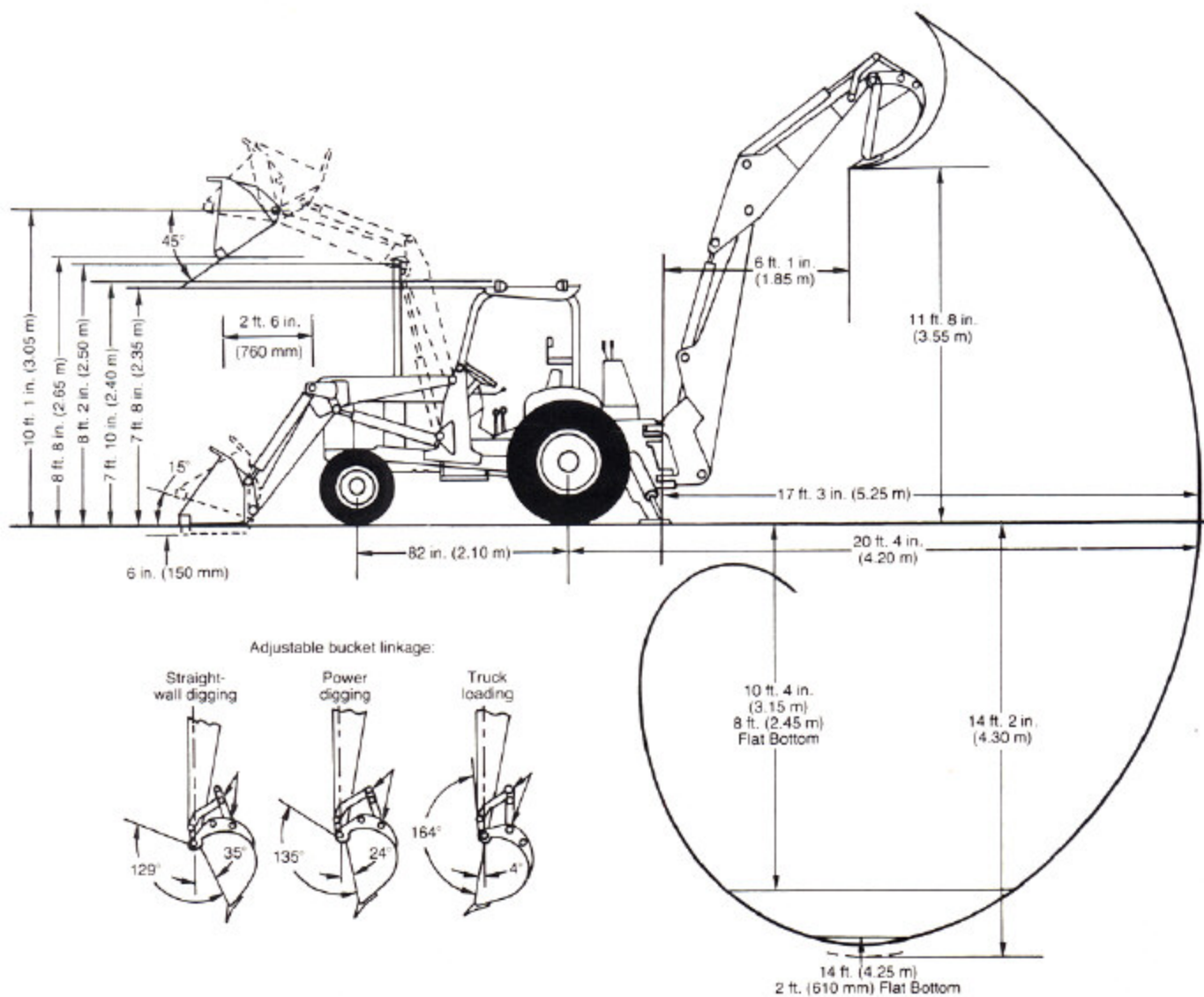
Attachments:

Ripper tooth replaces backhoe bucket. Cast steel; 225 lb. (100 kg) tooth has hardened replaceable tip. Bolt-on rubber street pads for stabilizer pads.

BUCKETS

Loader:	Width In. (mm)	Struck Capacity Cu. Ft. (m ³)	Nominal Heaped Capacity	
			Cu. Yd.	(m ³)
	81.125(2061)		0.75	(0.57)
	81.125(2061)		1.0	(0.76)
Backhoe:	12 (305)	1.6 (0.05)		
	16 (406)	2.6 (0.07)		
	18 (457)	3.6 (0.10)		
	24 (610)	4.8 (0.14)		
	30 (762)	6.0 (0.17)		
	36 (914)	7.2 (0.20)		
Heavy-duty	18 (457)	3.6 (0.10)		
	24 (610)	4.8 (0.14)		
Cemetery special	36 (914)	7.2 (0.20)		

401D LOADER BACKHOE DIMENSIONS



Optional Equipment:

- Foot-operated differential lock
- Parking brake and warning system
- Rear PTO, continuous 540 rpm
- Remote cylinder control, single or dual w/ quick couplers
- Rockshaft w/ or w/o Category 2, 3-point hitch and non-telescoping or telescoping draft links

Special Equipment:

- Backup alarm
- Cold weather starting aid
- Engine vandal side shields
- Fuel and radiator filler vandal cover
- Instrument panel vandal cover
- Quick Attach backhoe hydraulics
- Swinging drawbar
- 3-in. (76 mm) seat belt
- Toolbox
- Tractor step

