



# JD401-C LOADER

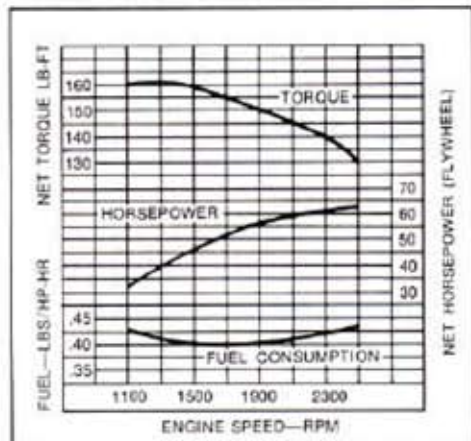
## FEATURES

- 62 SAE net hp (65.9 DIN-PS)
- 8-speed transmission w/hydraulic direction reverser
- Self-adjusting wet-disk brakes
- Inboard planetary final drives
- Foot-operated differential lock
- Power steering
- Choice of two self-leveling loader buckets
- Single-lever loader control
- 5500-pound (24.65 kN) (2495 kg) breakout force
- Roll-over protective structure (ROPS)

## ADD VERSATILITY WITH:

- Backhoe
- Mowers
- Landscaping tools

## ENGINE PERFORMANCE

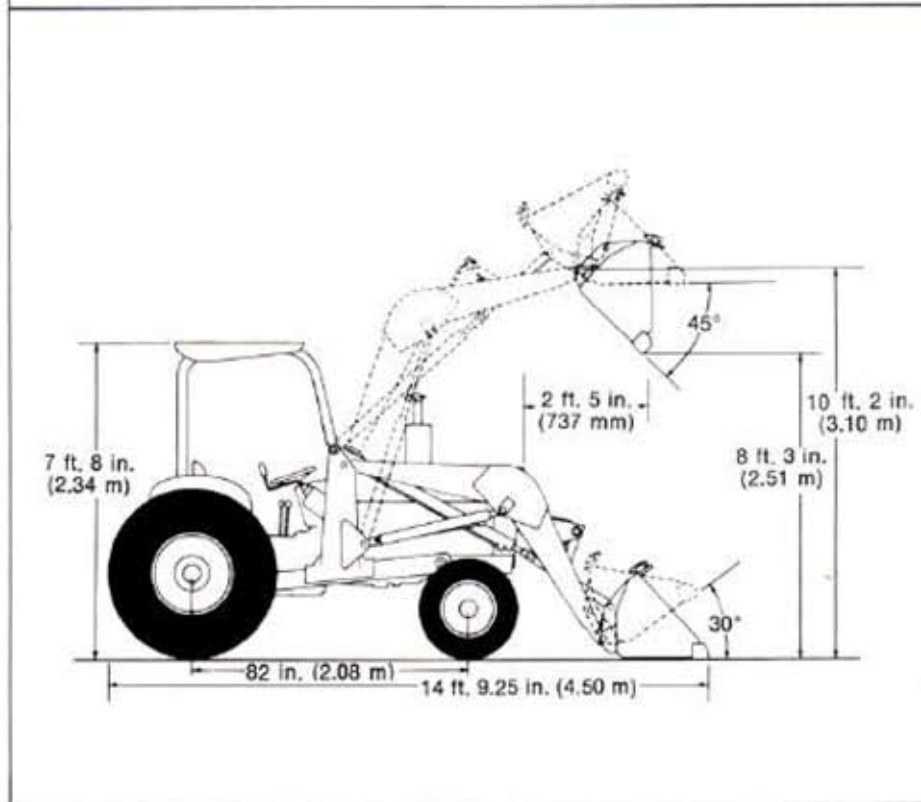


## LOADER SPECIFICATIONS

Nominal Heaped Buckets:	Capacity	Width
	¾ cu. yd. (0.57 m <sup>3</sup> )	81.125 in. (2.06 m)
	1 cu. yd. (0.76 m <sup>3</sup> )	81.125 in. (2.06 m)

### Operating Information:

- Breakout force . . . 5500 lb. (24.65 kN) (2495 kg)
- Digging depth below ground level . . . . . 4 in. (102 mm)
- Lifting capacity, full height . . 3500 lb. (1590 kg)
- Maximum dumping angle . . . . . 50 deg.
- Raising time to full height . . . . . 3.5 sec.
- Bucket dumping time . . . . . 1.3 sec.
- Lowering time (power) . . . . . 2.3 sec.
- Float-down time . . . . . 3.8 sec.
- Minimum effective rear wheel counterweight required, except when used with backhoe . . . . . 2700 lb. (1225 kg)



# JD401-C LOADER SPECIFICATIONS

(Specifications and design subject to change without notice. Wherever applicable, specifications are in accordance with ICED and SAE Standards. Except where otherwise noted, these specifications are based on a unit equipped with 16.9-24, 6-ply-rating, R1 rear tires; 11L-15, 8-ply-rating, F3 front tires; ¾ cu. yd. (0.57 m³) bucket, and standard equipment.)

<b>Power (@ 2500 engine rpm):</b>	<b>SAE</b>	<b>DIN</b>
Gross .....	66 hp (49.2 kW)	
Net .....	62 hp (46.2 kW)	65.9 PS

Net engine flywheel power is for an engine equipped with fan, air cleaner, water pump, lubricating oil pump, fuel pump, alternator, and muffler. Gross engine power is without fan. Flywheel power ratings are under SAE standard conditions of 500-ft. altitude and 85° F. temperature and DIN 70 020 standard conditions of 760 mm Hg barometer (sea level) and 20°C. temperature.

**Engine:** John Deere 4-cylinder diesel, valve-in-head, 4-stroke cycle

Bore and stroke .....	4.02x4.33 in. (102x110 mm)
Piston displacement .....	219 cu. in. (3588 cm³)
Compression ratio .....	16.2 to 1
Maximum torque @ 1300 rpm ..	160 lb-ft (21.7 Nm) (22.1 kg-m)
NACC or AMA (U.S. Tax) horsepower .....	25.65
Main bearings .....	5
Lubrication .....	Pressure system w/full-flow filter
Cooling .....	Pressurized w/thermostat and fixed bypass
Fan .....	Suction
Air cleaner .....	Dry
Electrical system .....	12-volt w/alternator
Batteries (2 12 volt) .....	Reserve capacity: 220 minutes

**Engine Clutch** ... Foot-operated, single 11-in. (279mm) plate

**Transmission** ... Constant mesh, 8 speeds forward, 8 reverse. Standard hydraulic direction reverser permits no-clutch reversing in all gears.

<b>Gear:</b>	<b>Travel Speeds</b>			
	<b>mph</b>		<b>km/h</b>	
	<b>Fwd.</b>	<b>Rev.</b>	<b>Fwd.</b>	<b>Rev.</b>
1	1.4	1.6	2.3	2.6
2	2.0	2.3	3.2	3.7
3	3.0	3.5	4.8	5.6
4	4.2	4.8	6.8	7.7
5	5.5	6.3	8.9	10.1
6	7.9	9.0	12.7	14.5
7	11.7	13.5	18.8	21.7
8	16.4	18.7	26.4	30.1

**Final Drives** ..... Inboard, planetary

**Hydraulic System:** Closed-center

Max. pressure .....	2350 psi (16 203 kPa) (165.2 kg/cm²)
Loader control .....	Single-lever
Pump .....	Piston, constant pressure, variable displacement
	28 gpm (1.76 L/s) @ 2500 engine rpm
Filter .....	25-micron steel-enclosed paper cartridge in return

<b>Hydraulic Cylinders:</b>	<b>Bore</b>	<b>Stroke</b>
Boom .....	2.75 in. (70 mm)	28.25 in. (718 mm)
Bucket .....	2.5 in. (64 mm)	15.125 in. (384 mm)
Cylinder rods ..	Ground, heat-treated, chrome-plated, polished	
Boom cylinder rods .....	1.75-in. (44mm) dia.	
Bucket cylinder rods .....	1.25-in. (32mm) dia.	

**Brakes** ..... Hydraulically actuated, fully enclosed wet-disk. Self-equalizing. Foot-operated individually or simultaneously.

<b>Steering</b> .....	<b>Power</b>
Turning radius (brake applied) .....	11 ft. (3.35 m)
Loader clearance (brake applied) .....	33 ft. (10.06 m)
Number of turns, far left to far right .....	3.3

<b>Tires:</b>	<b>Front</b>	<b>Rear</b>
11L-15, 8-ply-rating, F3		16.9-24, 6-ply-rating, R1
7.50/8.00-16, 10-ply-rating, F3		16.9-24, 8-ply-rating, R4
		19.5L-24, 8-ply-rating, R4

**Wheel Treads:**

Front .....	56 in. (1.42 m)
Rear .....	62 in. (1.57 m)

**Dimensions:**

Height to top of hood .....	4 ft. 7.3 in. (1.40 m)
Overall height to top of canopy .....	7 ft. 8 in. (2.34 m)
Overall width w/o bucket .....	6 ft. 7 in. (2.01 m)
Overall length w/3-point hitch .....	14 ft. 9.25 in. (4.50 m)
Ground clearance (under front axle) .....	1 ft. 6 in. (457 mm)
Ground clearance, min. ....	1 ft. 1.25 in. (337 mm)

<b>Capacities:</b>	<b>U.S.</b>	<b>Imp.</b>	<b>Liters</b>
Cooling system .....	3 gal.	2.5 gal.	11.4
Fuel tank .....	19.5 gal.	16.3 gal.	73.8
Engine lubrication, including filter ..	9 qt.	7.5 qt.	8.5
Transmission and hydraulic system ..	10 gal.	8.3 gal.	37.9
Loader hydraulic system .....	3 gal.	2.5 gal.	11.4

**Additional Standard Equipment:**

- Transistorized voltage regulator
- Oil pressure indicator light
- Alternator charge indicator light
- Water temperature gauge
- Key switch safety start
- Cushioned seat
- Vertical muffler w/rain cap
- Fenders
- Antifreeze
- Bucket-level indicator
- Lights
- Differential lock
- Foot throttle
- Fuel gauge
- Air cleaner restriction indicator
- Cigaret lighter
- Ether starting aid
- Speed-hourmeter
- Horn

**SAE Operating Weight** ..... 7840 lb. (3556 kg)

## Special Equipment

- Backhoe
- Collar shift transmission
- Counterweights w/bracket (w/o 3-point hitch or remote cylinder)
- Deluxe seat
- Front axle counterweights

- Front grille guard
- Parking brake
- Rear PTO (continuous "live" 540 rpm)
- Rear wheel weights
- Remote hydraulic cylinder
- ROPS w/canopy and seat belt

- Single remote cylinder control w/quick-disconnect couplers
- Swinging drawbar
- 3-inch seat belt
- 3-point hitch (Category 1 or 2 w/sway blocks and regular or short links)